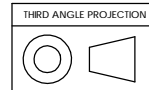
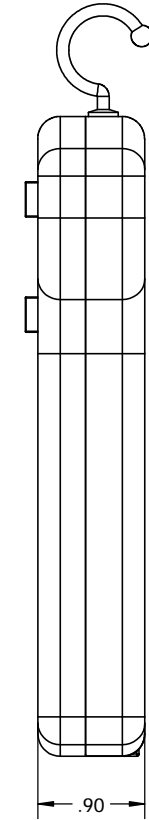
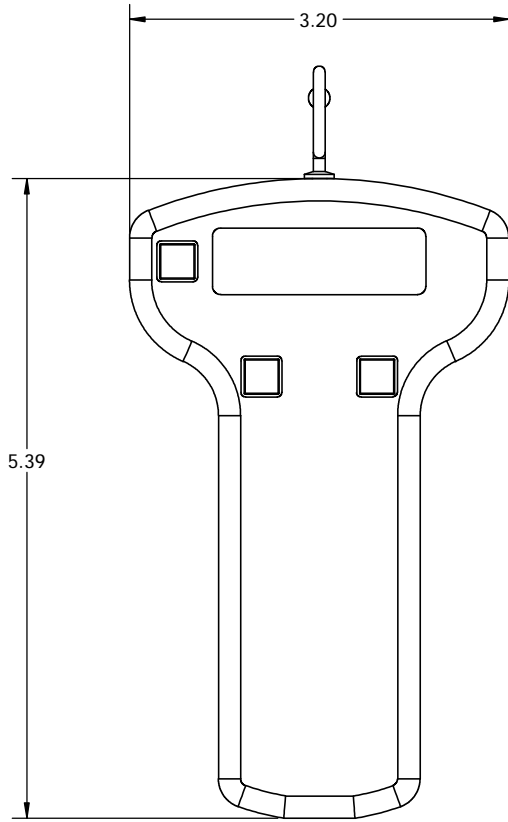


STK NO 19695



UNLESS OTHERWISE SPECIFIED: DIMENSIONS ARE IN INCHES TWO PLACE DECIMAL ±.007 THREE PLACE DECIMAL ±.003	DRAWN	NAME	DATE	Optec Inc. TITLE: HAND CONTROLLER		
	CHECKED	LD	5/22/14			
	ENG APPR.					
	MFG APPR.					
MATERIAL	G.A.	CONTRACT		SIZE		
FINISH	FOCUS LYNX			B	DWG. NO.	
DO NOT SCALE DRAWING				SCALE: 1:1	WEIGHT:	SHEET 1 OF 1