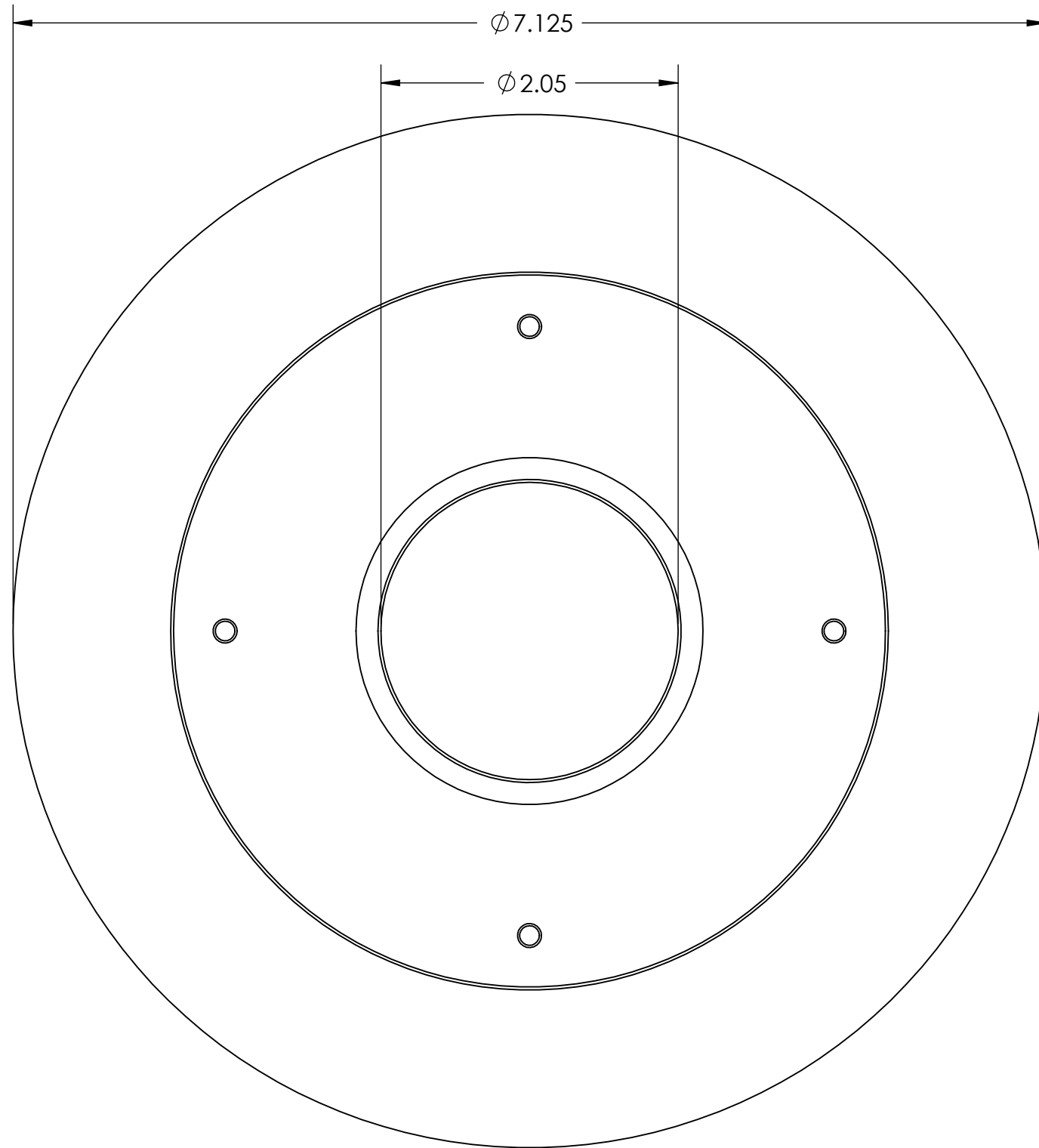
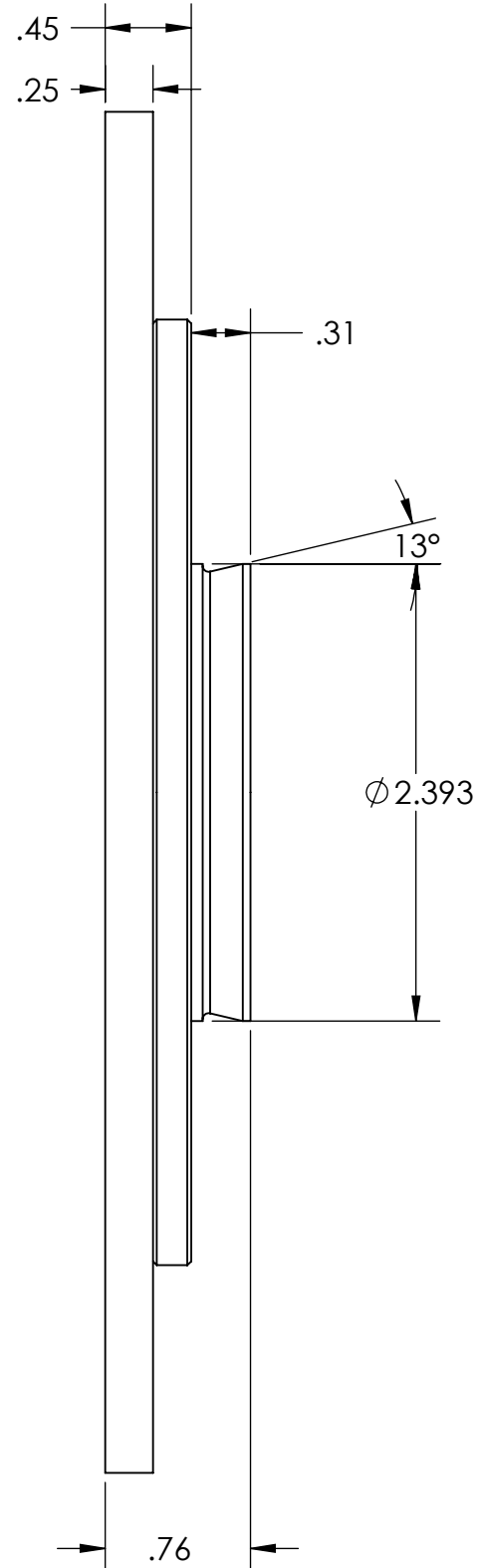


STK NO 17418



UNLESS OTHERWISE SPECIFIED: DIMENSIONS ARE IN INCHES TOLERANCES: FRACTIONAL ± ANGULAR: MACH ± BEND ± TWO PLACE DECIMAL ±.007 THREE PLACE DECIMAL ±.003	DRAWN	NAME	DATE	<b>Optec Inc.</b>
	CHECKED	LD	10/12/09	
	ENG APPR.			
	MFG APPR.			
	Q.A.			TITLE:
	CONTRACT			CDK 17/20 TO OPTEC 2400
	MATERIAL	6061-T6		SIZE
	FINISH	FROSTKOTE BRIGHT DIP BLACK		DWG. NO.
	DO NOT SCALE DRAWING			<b>B</b>
	OPTEC 2400			NA
	SCALE: 1:1	WEIGHT:	SHEET 1 OF 1	

