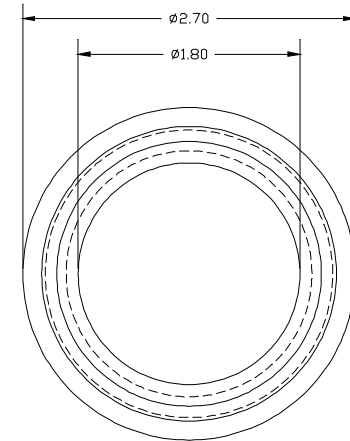
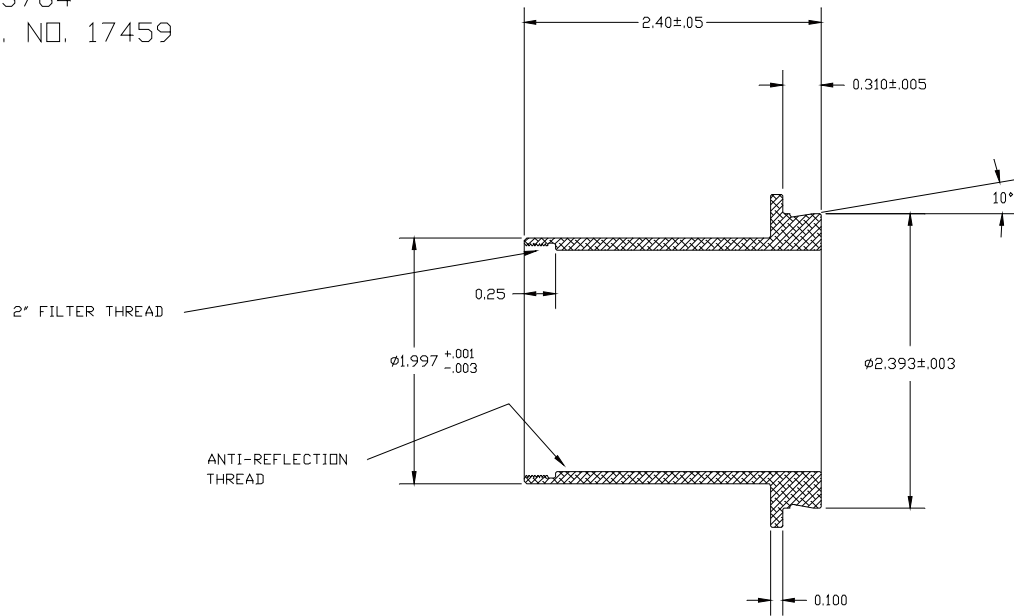


PN 3764
 STK. NO. 17459



TOLERANCE XX ±.007.XXX ± .003	CONTRACT TCF-S/IFW TELESCOPE ADAPTERS	<i>OPTEC, Inc.</i>	
MATERIAL 6061 T6	REVISION 8/4/99 6/22/07 12/26/08		
FINISH FROSTKOTE/BRIGHT DIP BLACK ANODIZE		SCALE: 1X	NO: 17-06320