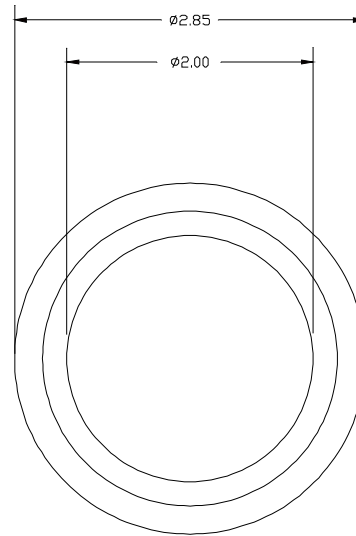
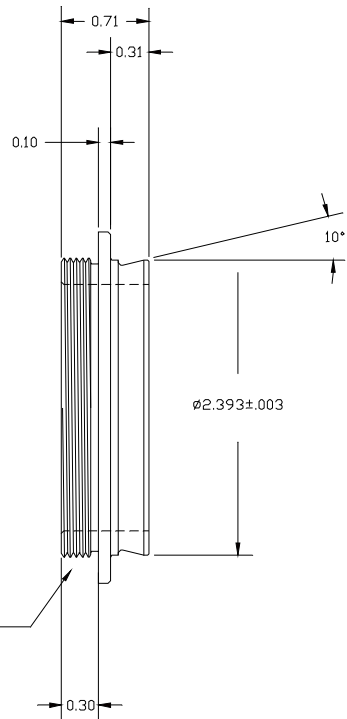


PN 3888
 STK# 17461



2" MOUNT THREAD

TOLERANCE XX ±.007.XXX ± .003	CONTRACT TCF-S/IFW TELESCOPE ADAPTERS	<i>OPTEC, Inc.</i>	
MATERIAL 6262 T9	REVISION 01/24/00 6/8/06 4/3/07 6/22/07		
FINISH BRIGHT DIP BLACK ANODIZE		SCALE: 1X	NO: 17-06323