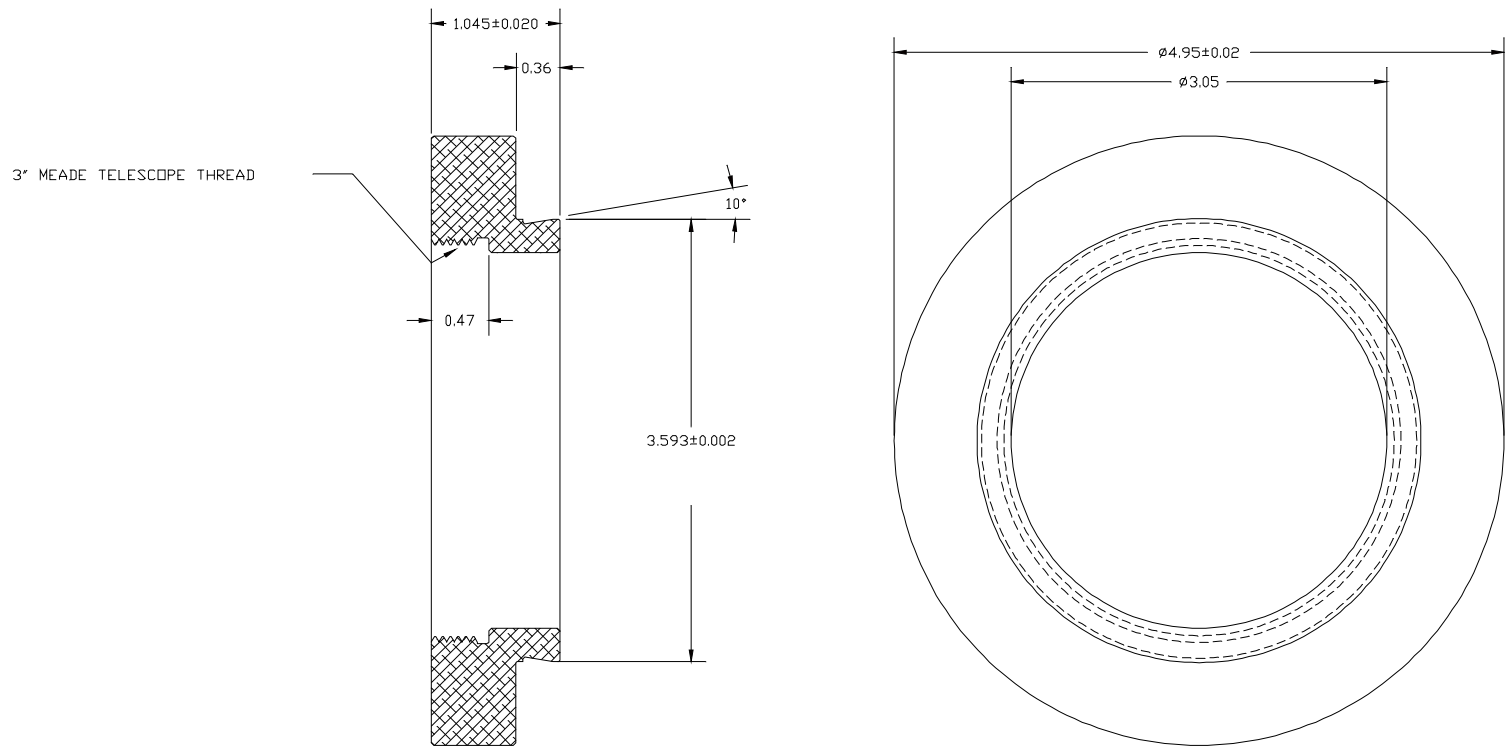


PN4470  
 STK. NO. 17802



TOLERANCE XX ±.007.XXX ± .003	CONTRACT OPT-3600	<i>OPTEC, Inc.</i>	
MATERIAL 6061	REVISION 9/3/05 9/26/06 8/1/07	MEADE TELESCOPE 3" MOUNT	
FINISH BRIGHT DIP BLACK ANODIZE		SCALE: 1X	NO: 17-06661