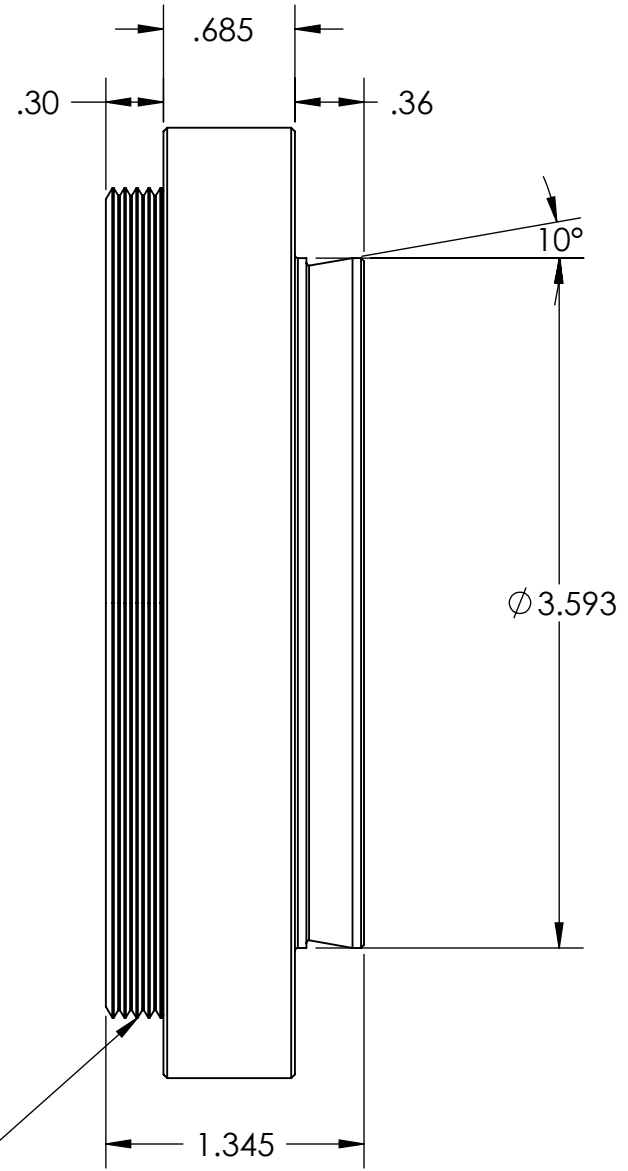
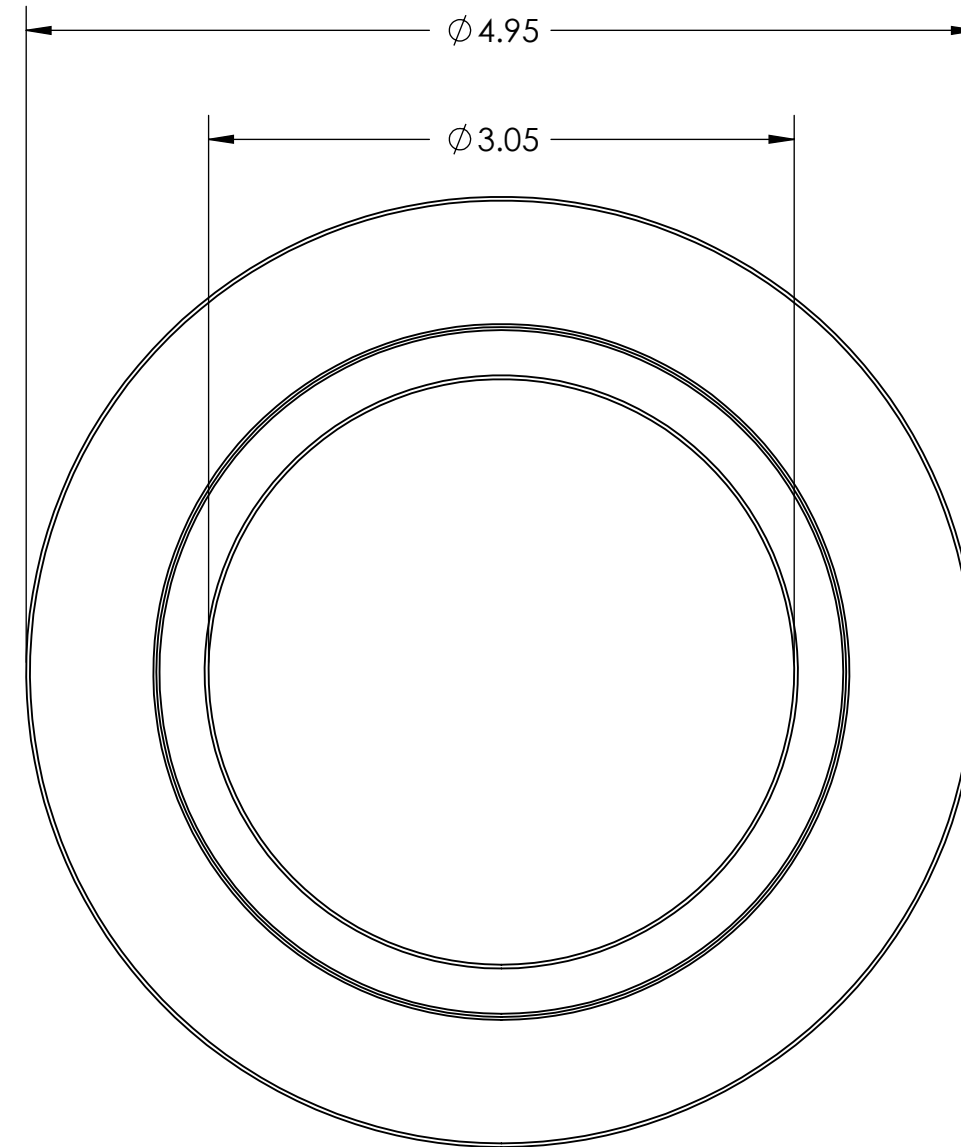


STK NO 17814



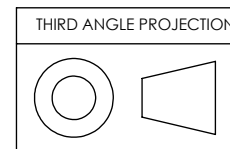
TMB 4.3" THRD



D
C
B
A

D
C
B
A

UNLESS OTHERWISE SPECIFIED: DIMENSIONS ARE IN INCHES TOLERANCES: FRACTIONAL ± ANGULAR: MACH ± BEND ± TWO PLACE DECIMAL ±.007 THREE PLACE DECIMAL ±.003	DRAWN	LD	10/12/09	Optec Inc.	
	CHECKED				TITLE:
	ENG APPR.				TMB 4.3" THRD TO OPTEC 3600
	MFG APPR.				
	Q.A.				
	CONTRACT				
MATERIAL	6061-T6				
FINISH	FROSTKOTE BRIGHT DIP BLACK				
DO NOT SCALE DRAWING					
SIZE	DWG. NO.				
B	NA				
SCALE: 1:1	WEIGHT:	SHEET 1 OF 1			



8 7 6 5 4 3 2 1