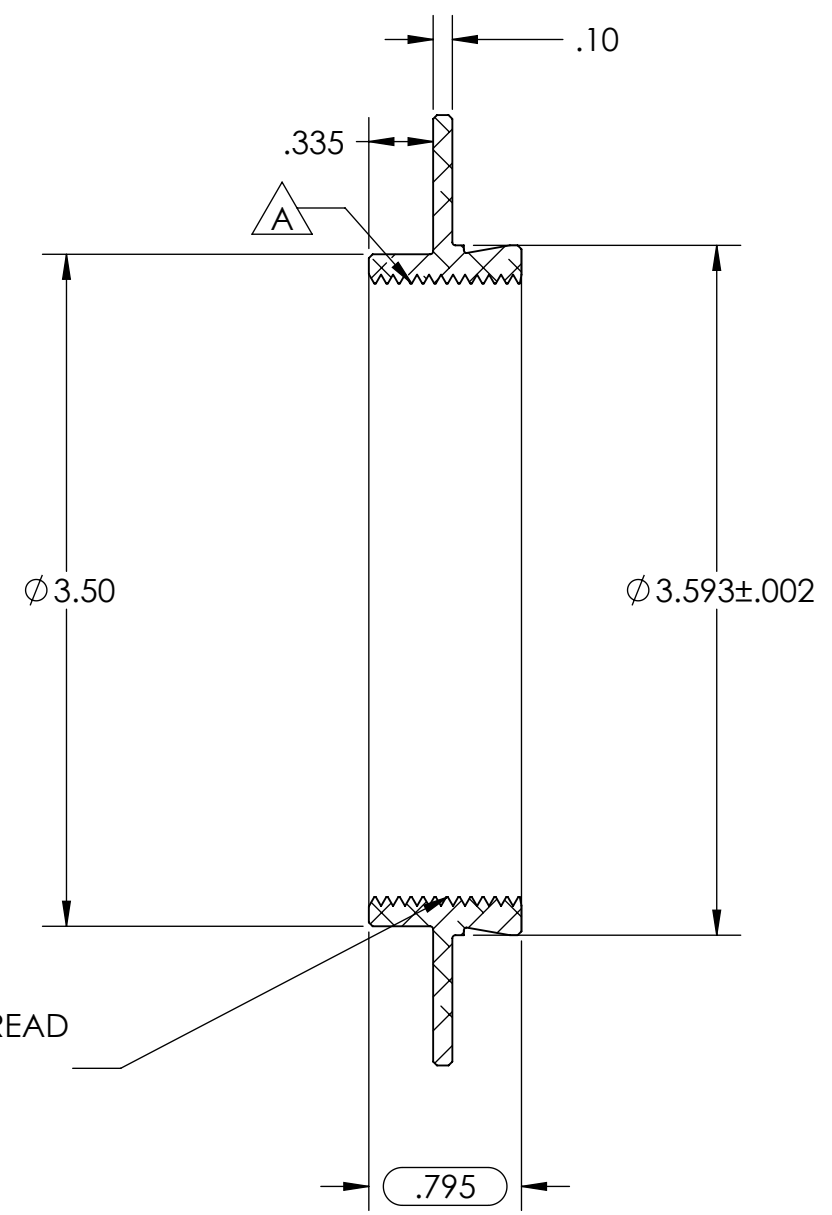
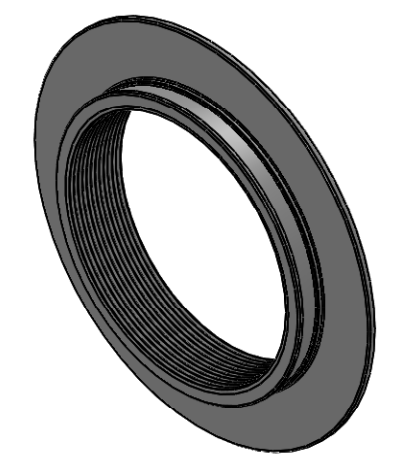
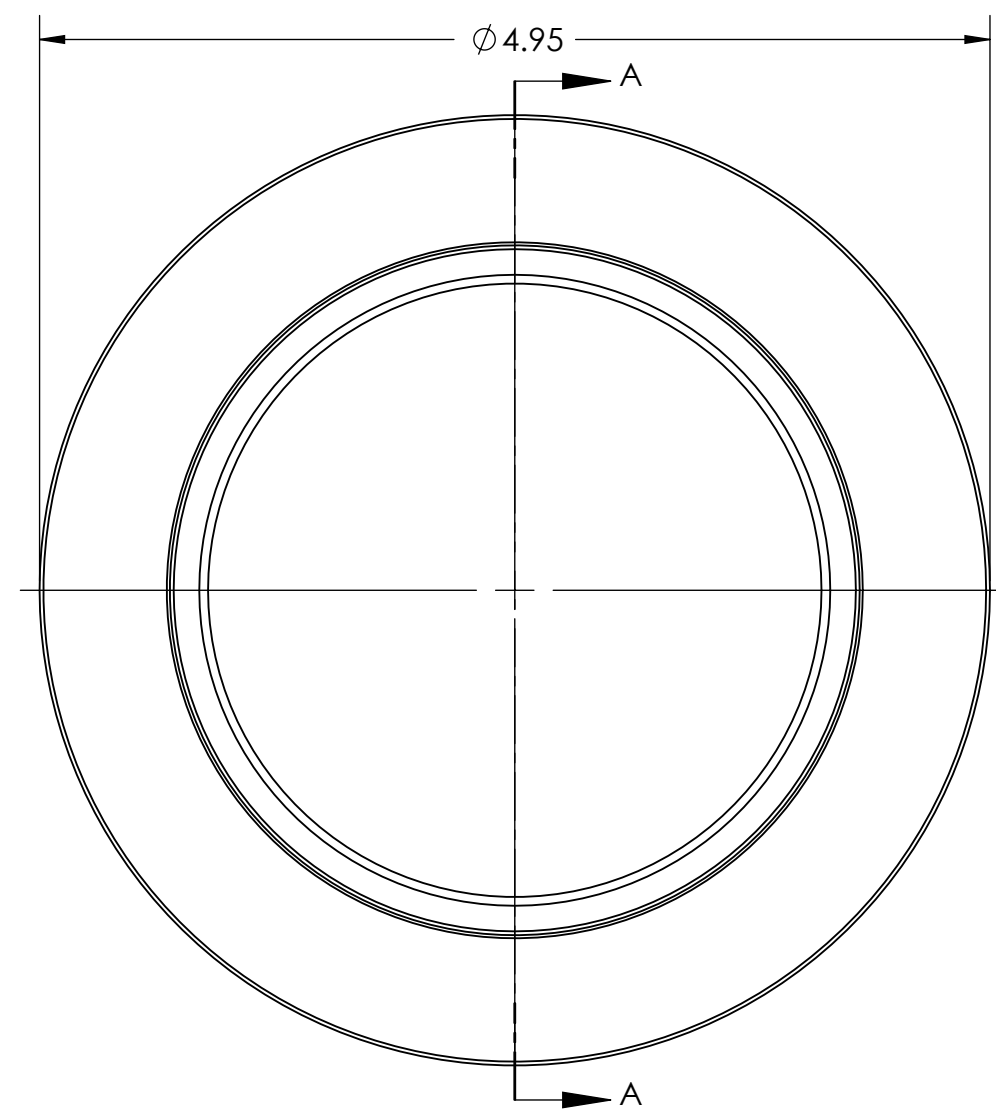


PN 4903
STK. NO. 17824

REVISIONS				
ZONE	REV.	DESCRIPTION	DATE	DRAWN
	A	THRU ALL THREADS AND SHORTENED .335 SHOULDER	6/22/2009	LD



SECTION A-A



3" MEADE TELESCOPE THREAD

UNLESS OTHERWISE SPECIFIED: DIMENSIONS ARE IN INCHES TOLERANCES: FRACTIONAL ± ANGULAR: MACH ± BEND ± TWO PLACE DECIMAL ±.007 THREE PLACE DECIMAL ±.003	DRAWN	NAME	DATE	Optec, Inc. TITLE: MEADE RCX 3" MOUNT		
	CHECKED	JD	4/05/09			
	ENG APPR.					
	MFG APPR.					
				Q.A.		
	CONTRACT					
	MATERIAL					
	6061-T6					
	FINISH					
	FROSTKOTE BRIGHT DIP BLACK					
	DO NOT SCALE DRAWING					
		OPTEC-3600				
	SIZE	DWG. NO.				
	B	17-06659				
	SCALE: 1:1	WEIGHT:		SHEET 1 OF 1		

