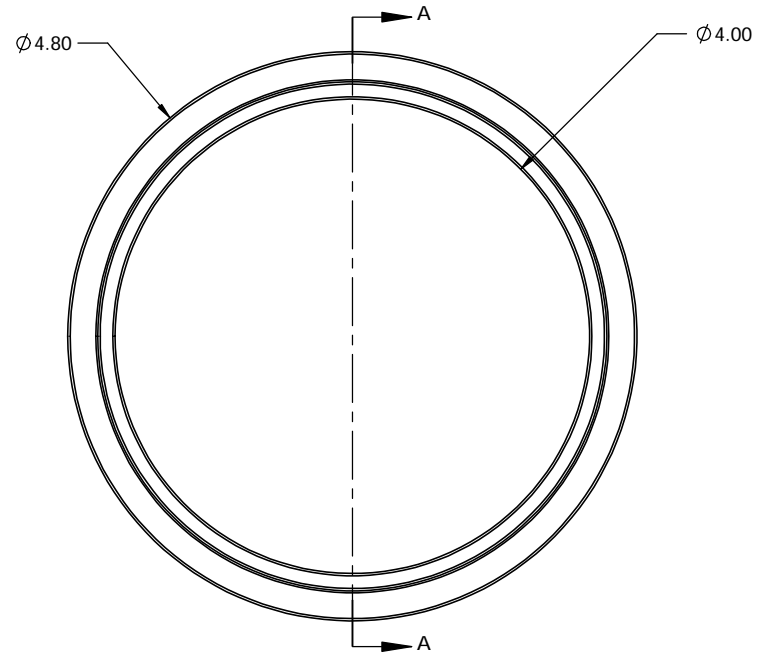
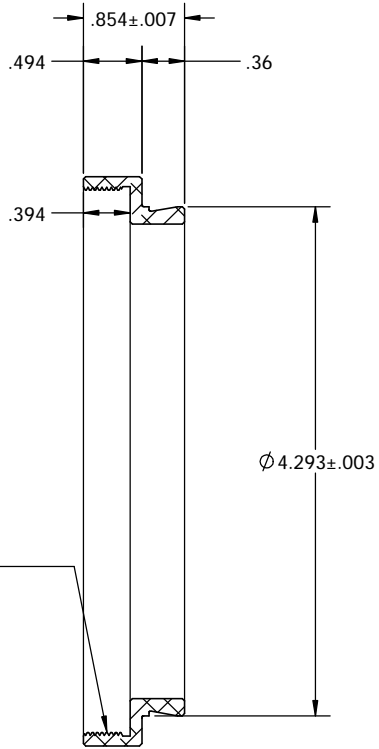


PN 5243
STK NO 19841



UNLESS OTHERWISE SPECIFIED: DIMENSIONS ARE IN INCHES TOLERANCES: FRACTIONAL ± ANGULAR: MACH ± BEND ± TWO PLACE DECIMAL ±.007 THREE PLACE DECIMAL ±.003	DRAWN	NAME	DATE	Optec Inc.
	CHECKED	LD	05/24/11	
THIRD ANGLE PROJECTION 	ENG APPR.	CONTRACT		TITLE:
	MFG APPR.			M117x1mm TO OPTEC 4300
	Q.A.			
MATERIAL	6061-T6	OPTEC 4300		SIZE
FINISH	SEE NOTES			DWG. NO.
DO NOT SCALE DRAWING				B
				17-06723
				SCALE: 1:1
				WEIGHT:
				SHEET 1 OF 1