

8 7 6 5 4 3 2 1

D

D

C

C

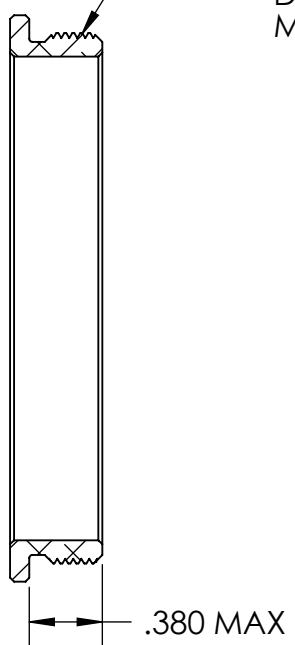
B

B

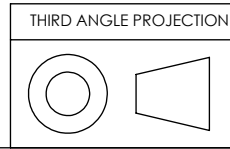
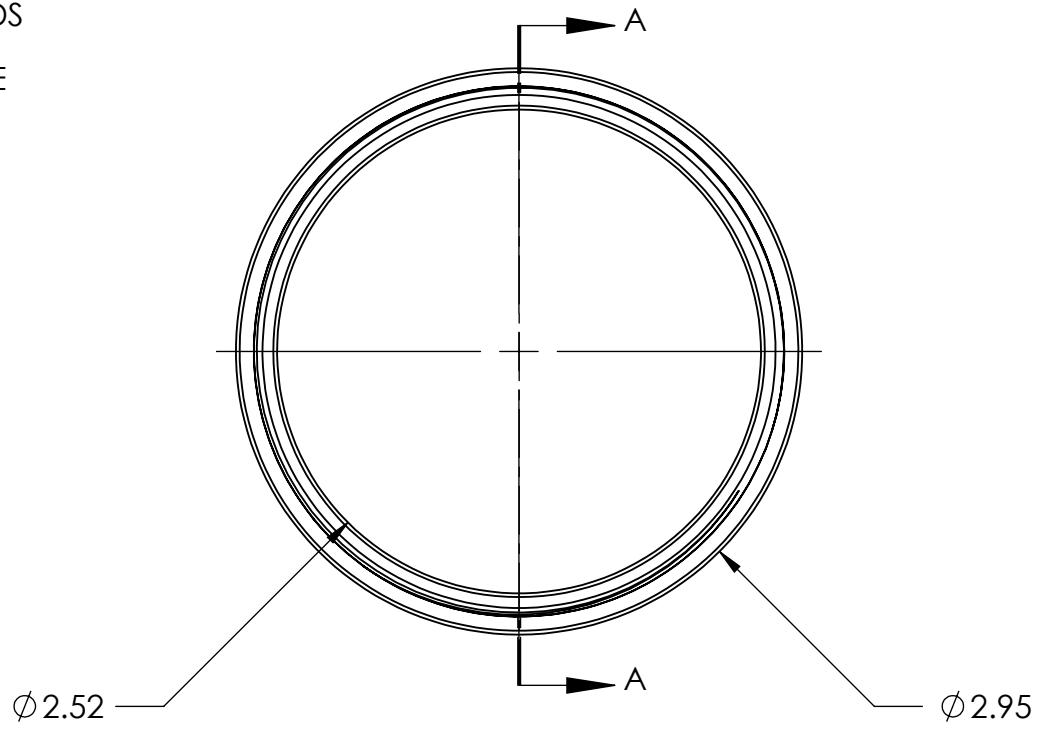
A

A

ASTRO-PHYSICS 2.7" THREAD
 TPI: 24, PITCH: 0.0417
 ϕ 2.7385 MAJOR DIA. BEFORE THREADS
 DEPTH OF THREAD: 0.0256
 MOW ϕ 2.7624 \pm .0020 WITH 0.029 WIRE



SECTION A-A



UNLESS OTHERWISE SPECIFIED: DIMENSIONS ARE IN INCHES TOLERANCES: FRACTIONAL \pm ANGULAR: MACH \pm BEND \pm TWO PLACE DECIMAL \pm .007 THREE PLACE DECIMAL \pm .003	DRAWN	NAME	DATE	Optec Inc.
	CHECKED	LD	06/16/10	
	ENG APPR.			
	MFG APPR.			
MATERIAL	CONTRACT			TITLE: ASTRO-PHYSICS 2.7" MALE THREAD
FINISH FROSTKOTE BRIGHT DIP BLACK	AP EXTENSION TUBE			
DO NOT SCALE DRAWING	SIZE	DWG. NO.		B N/A
	SCALE: 1:1	WEIGHT:	SHEET 1 OF 1	

8 7 6 5 4 3 2 1