

8

7

6

5

4

3

2

1

D

D

C

C

B

B

A

A

8

7

6

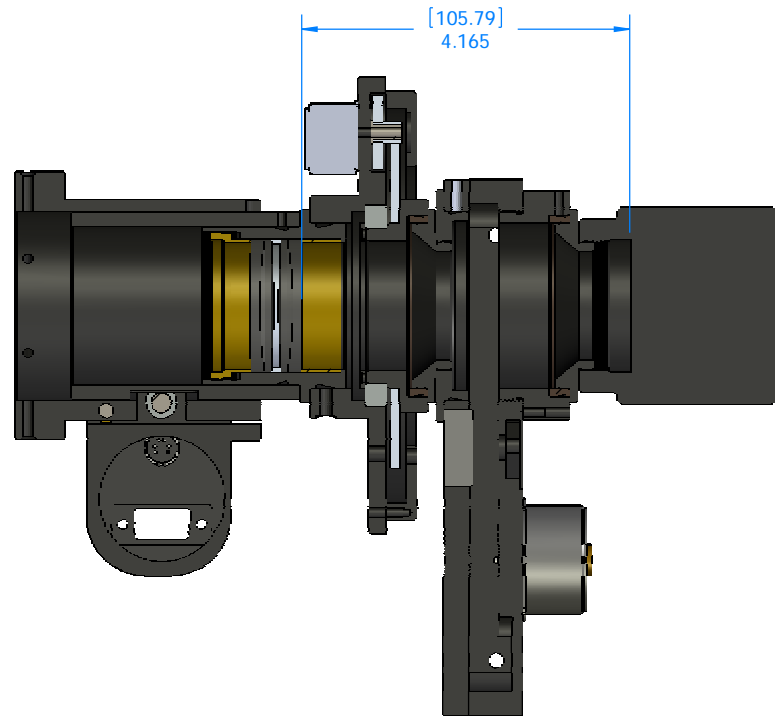
5

4

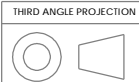
3

2

1



SECTION A-A



UNLESS OTHERWISE SPECIFIED:
 DIMENSIONS ARE IN INCHES
 TOLERANCES:
 FRACTIONAL ±
 ANGULAR: MACH ± BEND ±
 TWO PLACE DECIMAL ±.007
 THREE PLACE DECIMAL ±.003

MATERIAL
6061-T6
 FINISH FROSTKOTE BRIGHT
 DIP BLACK
 DO NOT SCALE DRAWING

	NAME	DATE
DRAWN		
CHECKED		
ENG APPR.		
MFG APPR.		
Q.A.		

CONTRACT

Optec Inc.		TITLE:	
		SIZE B	DWG. NO.
SCALE: 2:3	WEIGHT:	SHEET 1 OF 1	