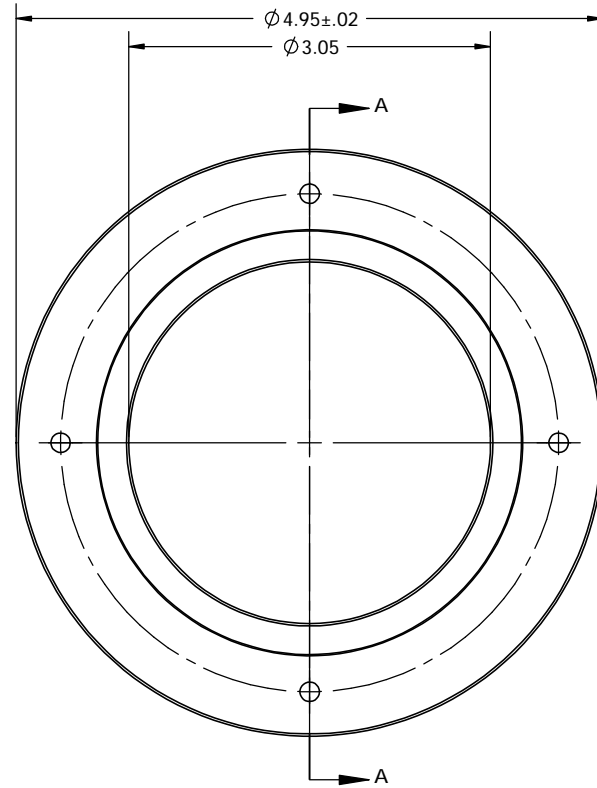
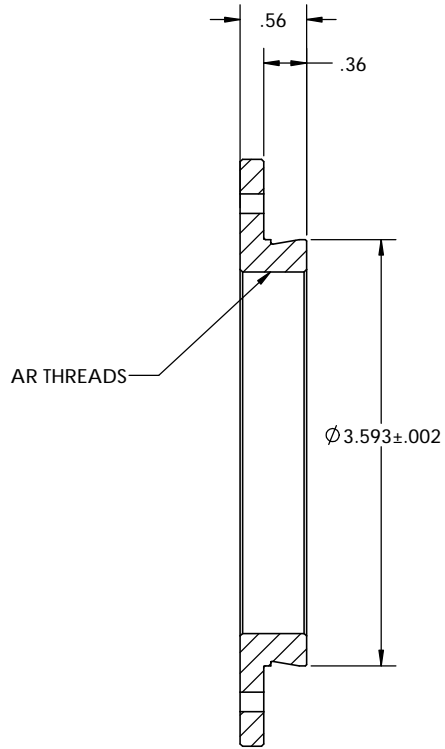


PN 5048  
STK NO 17800



UNLESS OTHERWISE SPECIFIED:		NAME	DATE	Optec Inc.	
DIMENSIONS ARE IN INCHES		DRAWN	BV	3/26/10	TITLE: 3.6" BLANK MOUNT
TOLERANCES:		CHECKED			
ANGULAR: $\pm 1$		ENG APPR.			
TWO PLACE DECIMAL $\pm .003$		MFG APPR.			
THREE PLACE DECIMAL $\pm .007$					
MATERIAL		G.A.		Contract	
6061 T6				OPTEC-3600	
FINISH				SIZE	DWG. NO.
SEE NOTES				B	17-06711
				REV	
DO NOT SCALE DRAWING				SCALE: 1:2	WEIGHT:
				SHEET 1 OF 1	