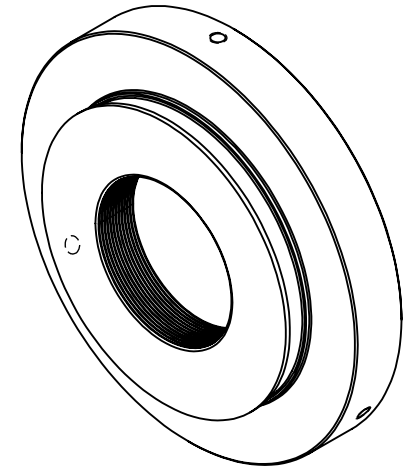
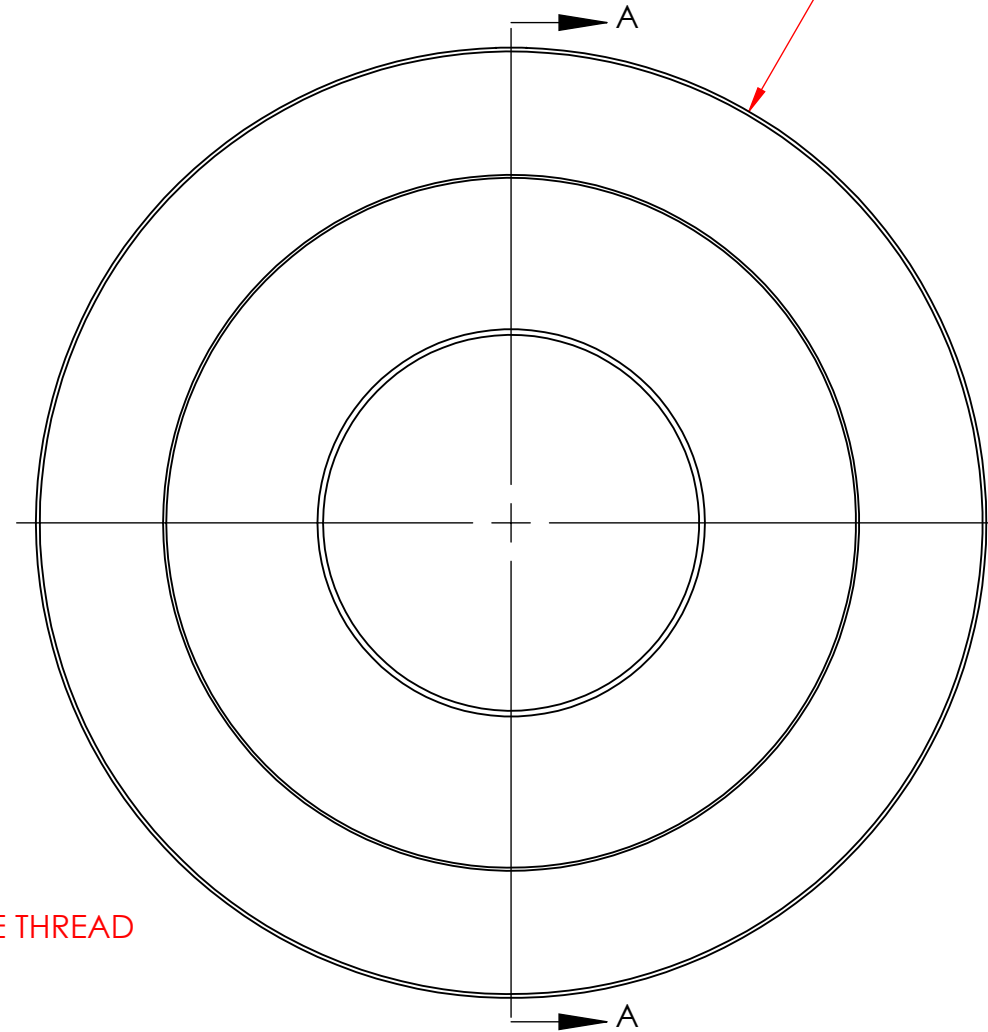
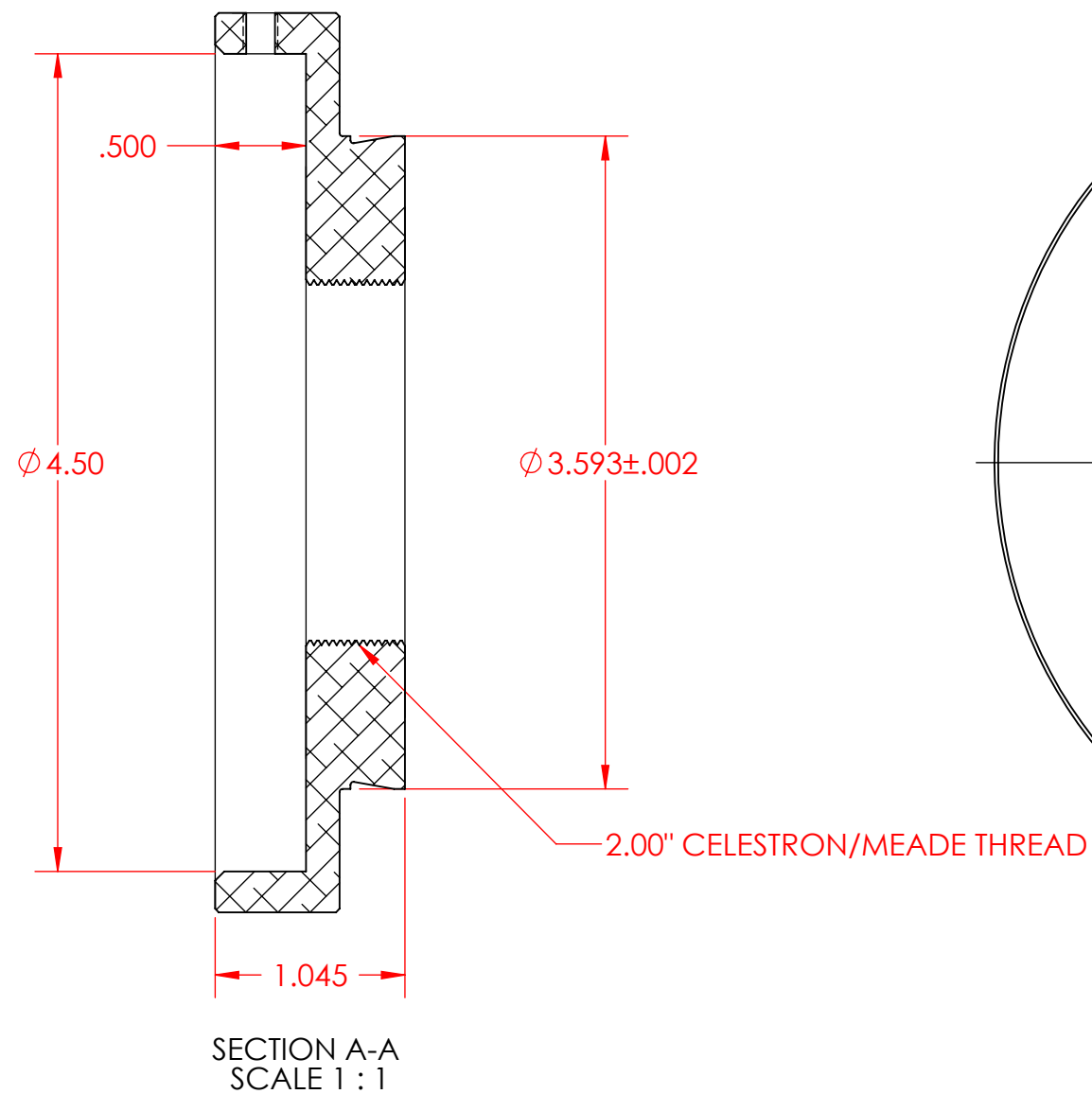


PN 4924
STK. NO. 17829

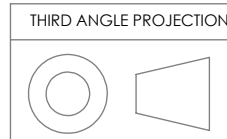


SECTION A-A
SCALE 1 : 1

UNLESS OTHERWISE SPECIFIED:

DIMENSIONS ARE IN INCHES
TOLERANCES:
FRACTIONAL ±
ANGULAR: MACH ± BEND ±
TWO PLACE DECIMAL ±.007
THREE PLACE DECIMAL ±.003

MATERIAL 6061-T6
FINISH FROSTKOTE BRIGHT
DIP BLACK
DO NOT SCALE DRAWING



	NAME	DATE	Optec, Inc.
DRAWN	LD	05/05/09	
CHECKED			
ENG APPR.			
MFG APPR.			TITLE: MEADE/CELESTRON TO 3600
Q.A.			SIZE DWG. NO. B 17-06691
CONTRACT OPTEC 3600			SCALE: 1:2 WEIGHT: SHEET 1 OF 1