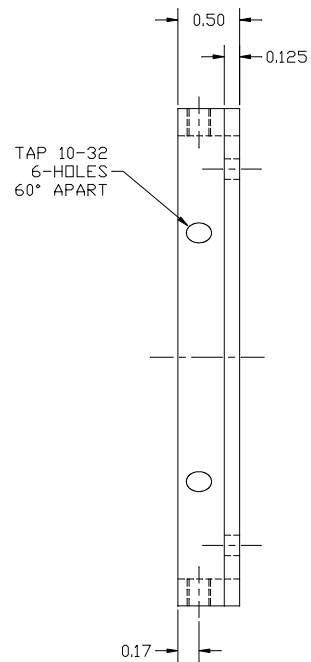
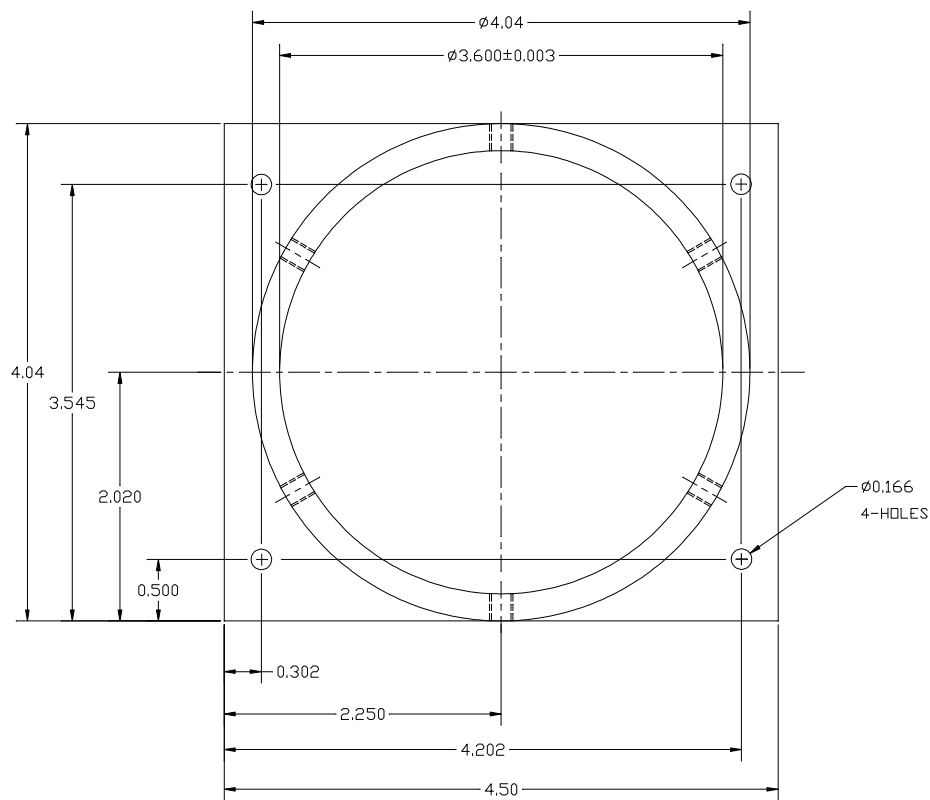


PN 4645
 STK. NO. 17879



| | | | |
|---|--------------------|-----------------------------|--------------|
| TOLERANCE .XX $\pm .007$.XXX $\pm .003$ | CONTRACT IFW-9 | <i>OPTEC, Inc.</i> | |
| MATERIAL 6061 T9 | REVISION 8/6/07 | TELESCOPE ADAPTER 3-INCH | |
| FINISH SEE NOTES | | SCALE: 1X | NO: 17-07410 |