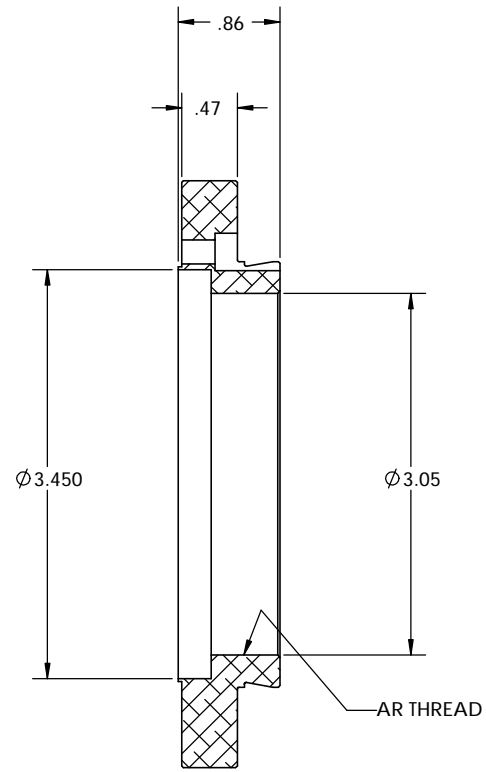
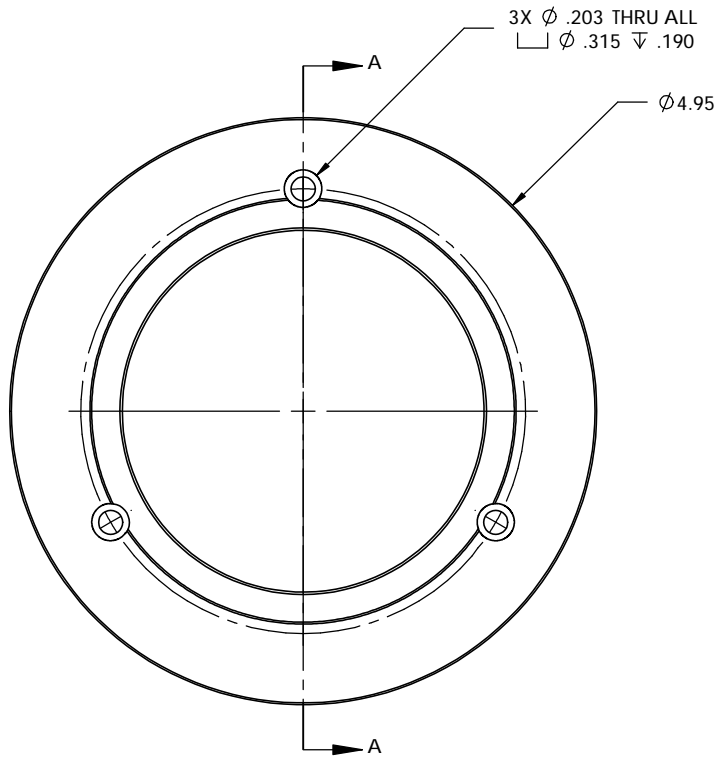
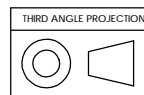


PN 5042
STK NO 19803



SECTION A-A
SCALE 1 : 1



UNLESS OTHERWISE SPECIFIED:		NAME	DATE	Optec Inc.	
DIMENSIONS ARE IN INCHES		DRAWN	BV	021/7/10	TITLE: OGS 12.5
TOLERANCES:		CHECKED			
ANGULAR: ±1		ENG APPR.			
TWO PLACE DECIMAL ±.003		MFG APPR.			
THREE PLACE DECIMAL ±.007		Q.A.			SIZE
MATERIAL		Contract		DWG. NO.	REV
6061 T6 ALUMINUM		OPTEC-3600		B	17-06707
FINISH				SCALE: 1:2	WEIGHT:
SATIN-ETCH BLACK					SHEET 1 OF 1
DO NOT SCALE DRAWING					