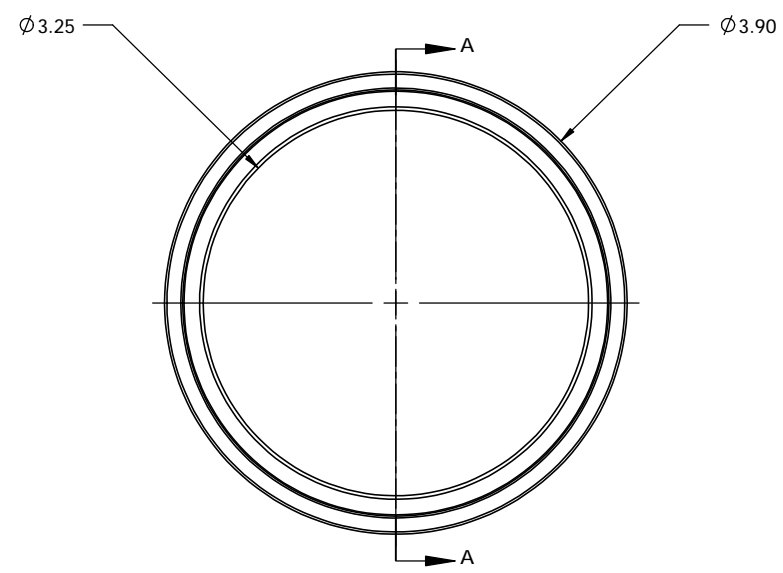
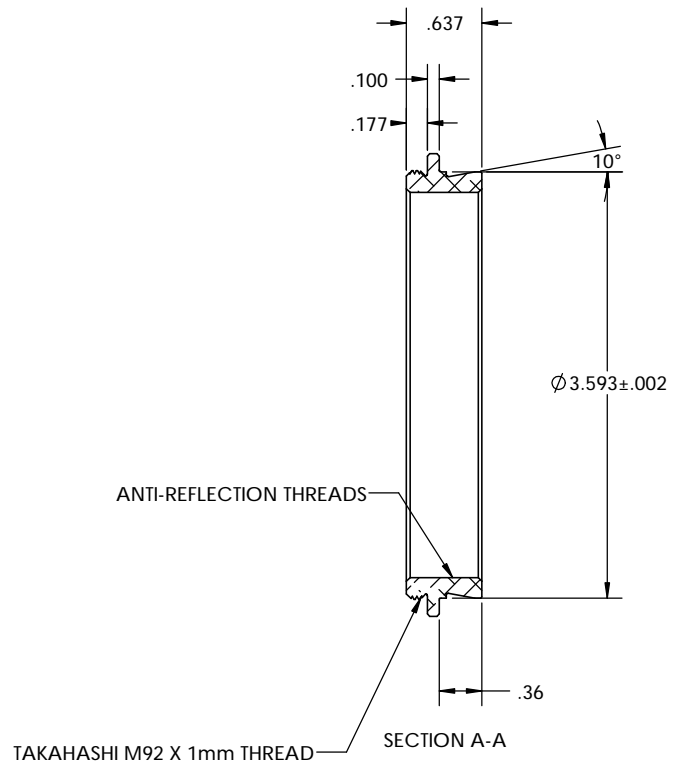


PN 5158  
STK NO 19806



UNLESS OTHERWISE SPECIFIED: DIMENSIONS ARE IN INCHES TOLERANCES: FRACTIONAL ± ANGULAR: MACH ± BEND ± TWO PLACE DECIMAL ±.007 THREE PLACE DECIMAL ±.003	DRAWN	NAME	DATE	<b>Optec Inc.</b>  TITLE: TAK 92 X 1mm TO OPTEC 3600
	CHECKED	LD	09/16/10	
	ENG APPR.			
	MFG APPR.			
	G.A.			SIZE
MATERIAL	CONTRACT		OPTEC-3600	DWG. NO.
FINISH	6061-T6		SEE NOTES	<b>B</b>
DO NOT SCALE DRAWING				SCALE: 1:1
				WEIGHT:
				SHEET 1 OF 1

