

8 7 6 5 4 3 2 1

D

D

C

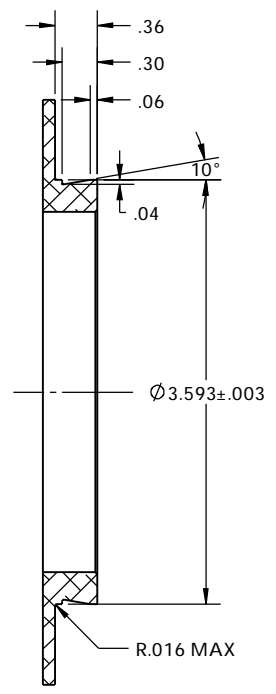
C

B

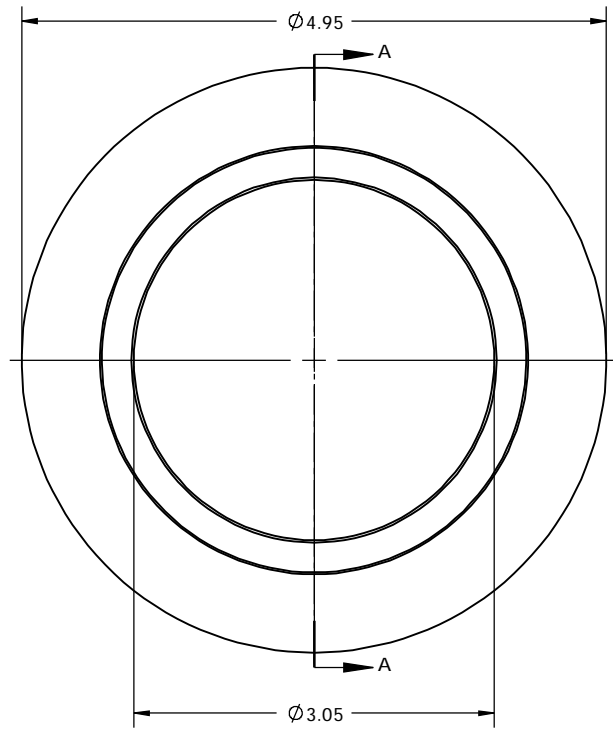
B

A

A



SECTION A-A



UNLESS OTHERWISE SPECIFIED: DIMENSIONS ARE IN INCHES TOLERANCES: FRACTIONAL ± ANGULAR: MACH ± BEND ± TWO PLACE DECIMAL ±.007 THREE PLACE DECIMAL ±.003	DRAWN	NAME	DATE	Optec, Inc.	
	CHECKED				
	ENG APPR.				
	MFG APPR.				
	Q. A.				
THIRD ANGLE PROJECTION	CONTRACT			SIZE	DWG. NO.
MATERIAL 6061-T6				B	
FINISH FROSTKOTE BRIGHT DIP BLACK				SCALE: 1:1	WEIGHT:
DO NOT SCALE DRAWING					SHEET 1 OF 1

8 7 6 5 4 3 2 1