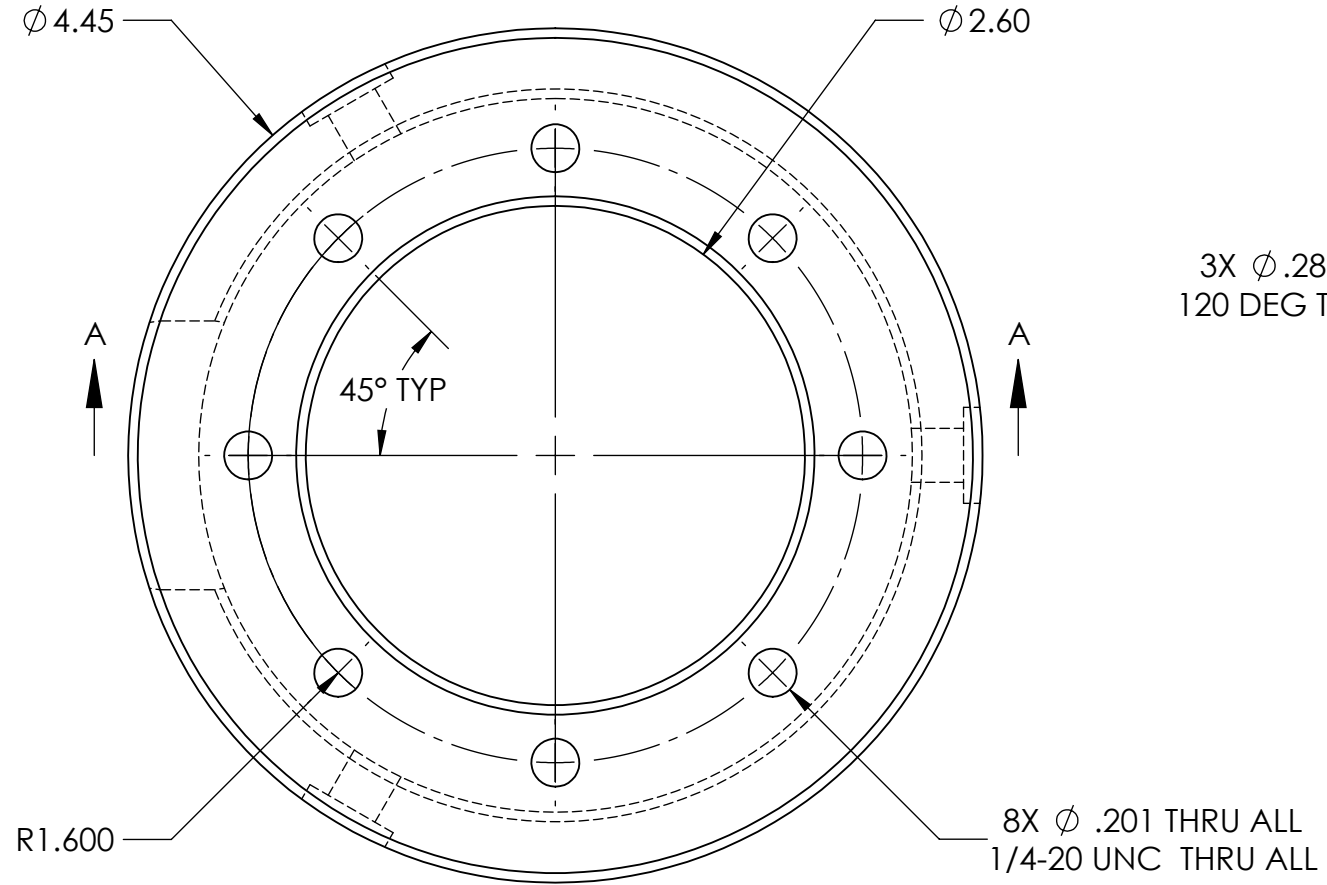
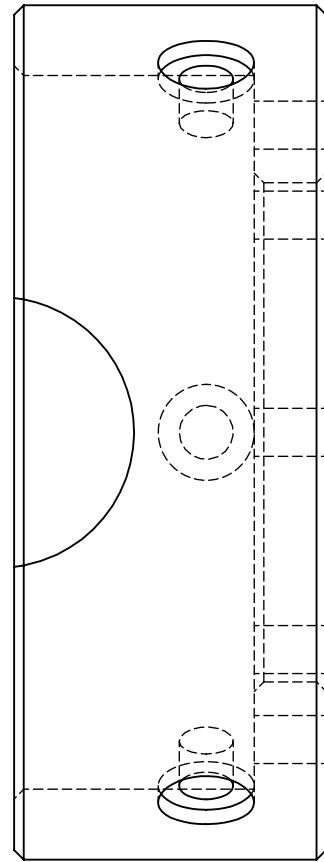
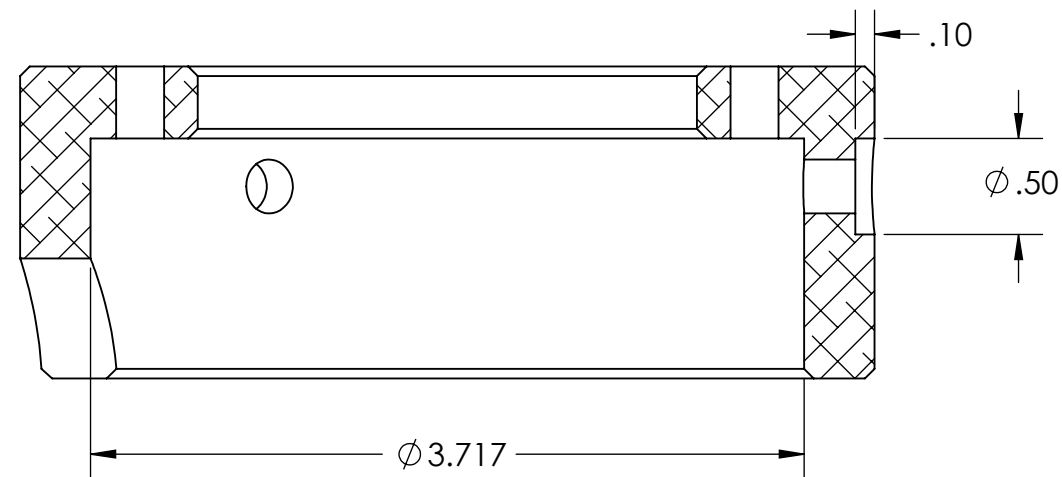
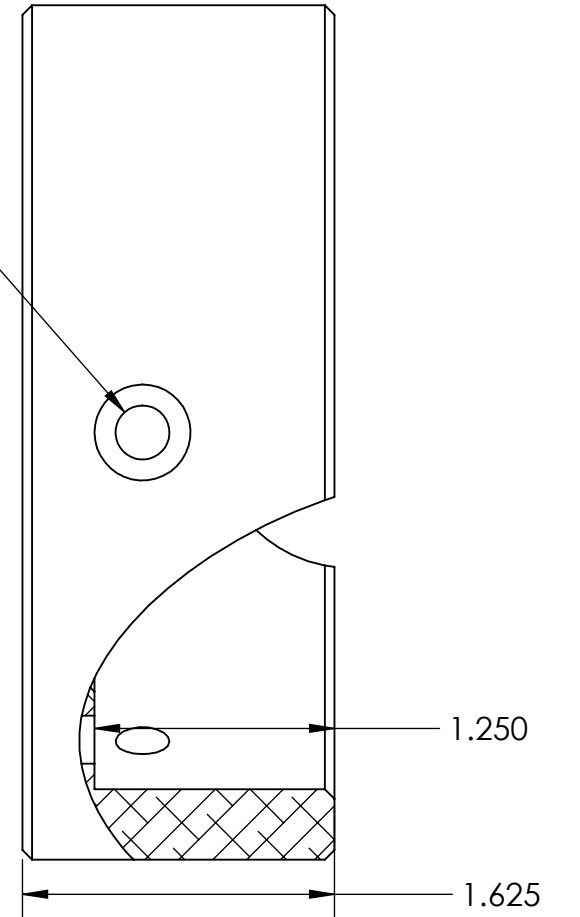


PN 4550  
STK NO 19236



3X Ø .281  
120 DEG TYP



UNLESS OTHERWISE SPECIFIED:  DIMENSIONS ARE IN INCHES TOLERANCES: FRACTIONAL ± ANGULAR: MACH ± BEND ± TWO PLACE DECIMAL ±.007 THREE PLACE DECIMAL ±.003	DRAWN	NAME	DATE	<b>Optec Inc.</b>	
	CHECKED	LD	2/2/11		
	ENG APPR.				
	MFG APPR.				
	Q.A.				
MATERIAL	CONTRACT			TITLE:  <b>CGEM ADAPTER</b>	
6061-T6	EZ-SADDLE				
FINISH	SEE NOTES				
DO NOT SCALE DRAWING				SIZE	DWG. NO.
				<b>B</b>	<b>19-02110</b>
	SCALE: 1:1	WEIGHT:	SHEET 1 OF 1		

