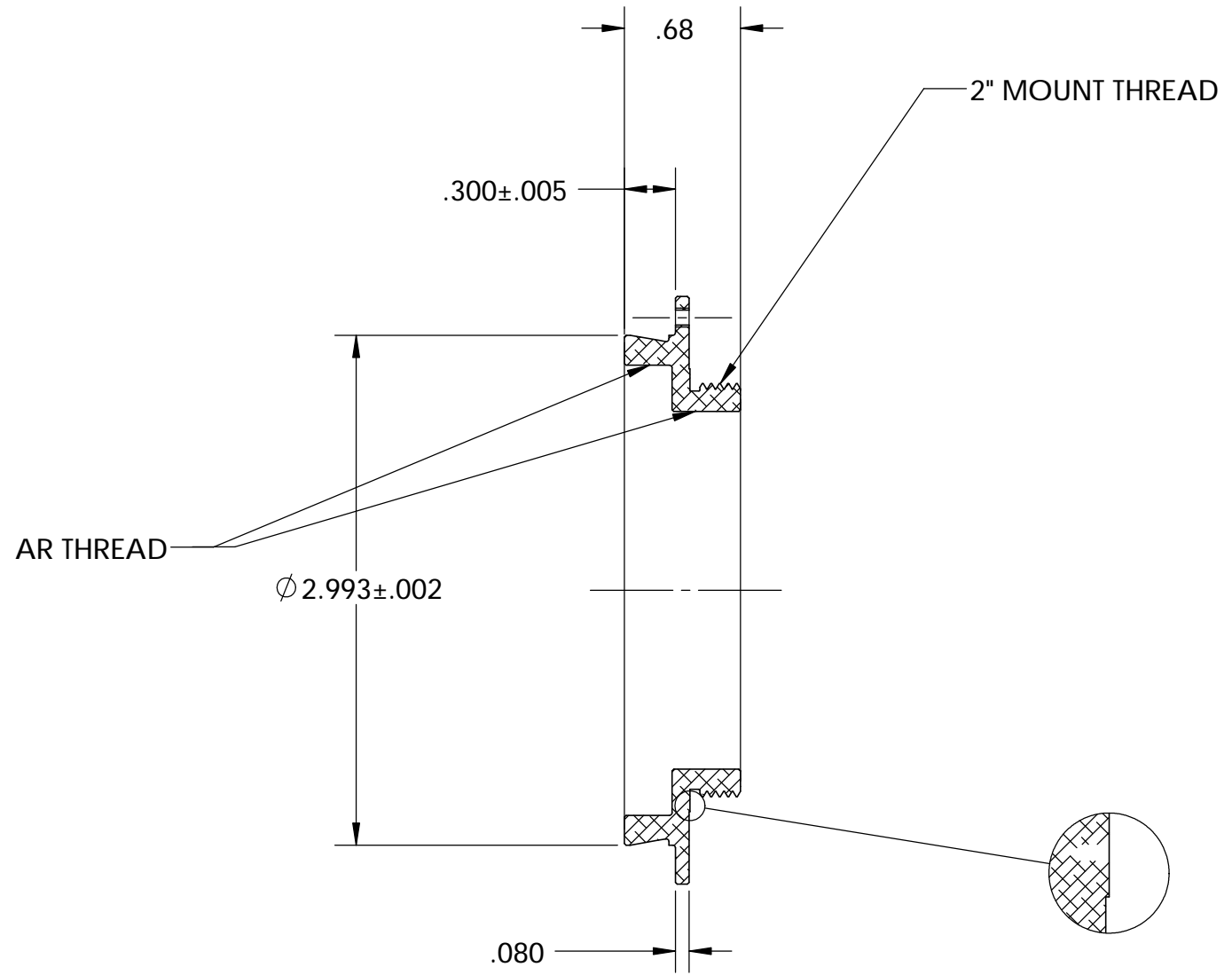
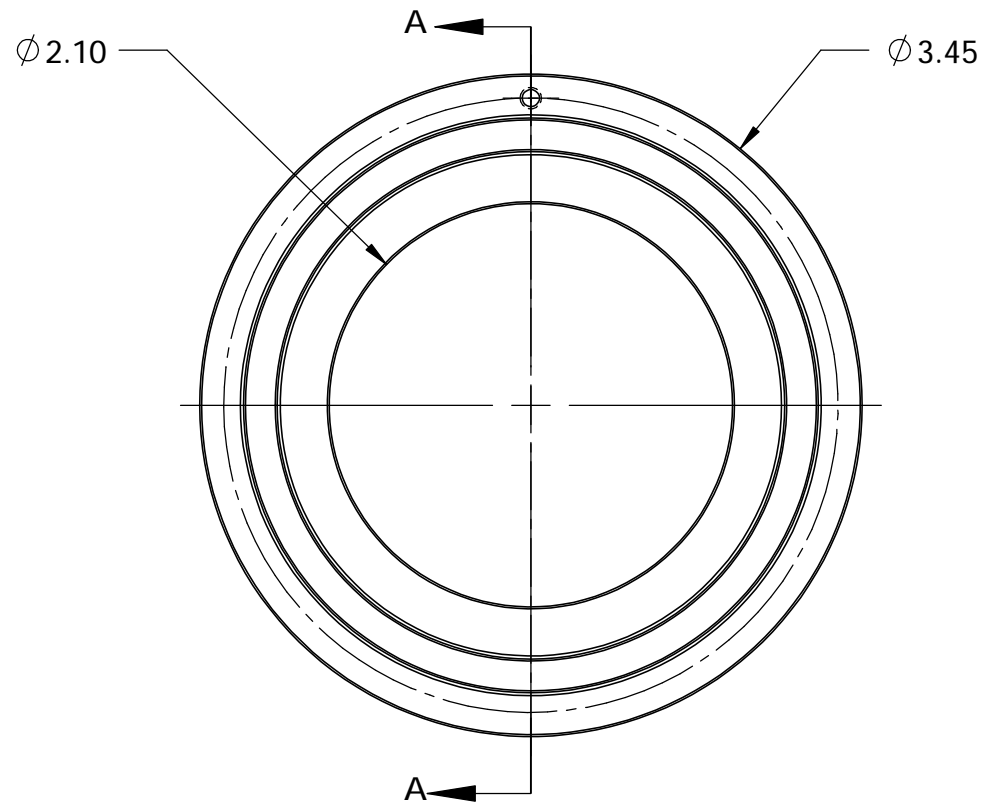


PN 4830
STK NO 17760



SECTION A-A
SCALE 1 : 1

DETAIL E
SCALE 4 : 1

UNLESS OTHERWISE SPECIFIED:		NAME	DATE	Optec Inc		
DIMENSIONS ARE IN INCHES		DRAWN	LD			12/31/08
TOLERANCES:		CHECKED				
FRACTIONAL $\pm .015$		ENG APPR.				
ANGULAR: MACH $\pm .5$		MFG APPR.			TITLE: NGC MOUNT RING, IFW	
TWO PLACE DECIMAL $\pm .007$		Q.A.				
THREE PLACE DECIMAL $\pm .003$		CONTRACT				
INTERPRET GEOMETRIC TOLERANCING PER:		IFW MOUNTS		SIZE	DWG. NO.	REV
MATERIAL				B	17-06330	1.0
FINISH				SCALE: 1:1	WEIGHT:	SHEET 1 OF 1
BRIGHT DIP FROSTKOTE BLACK						
DO NOT SCALE DRAWING						