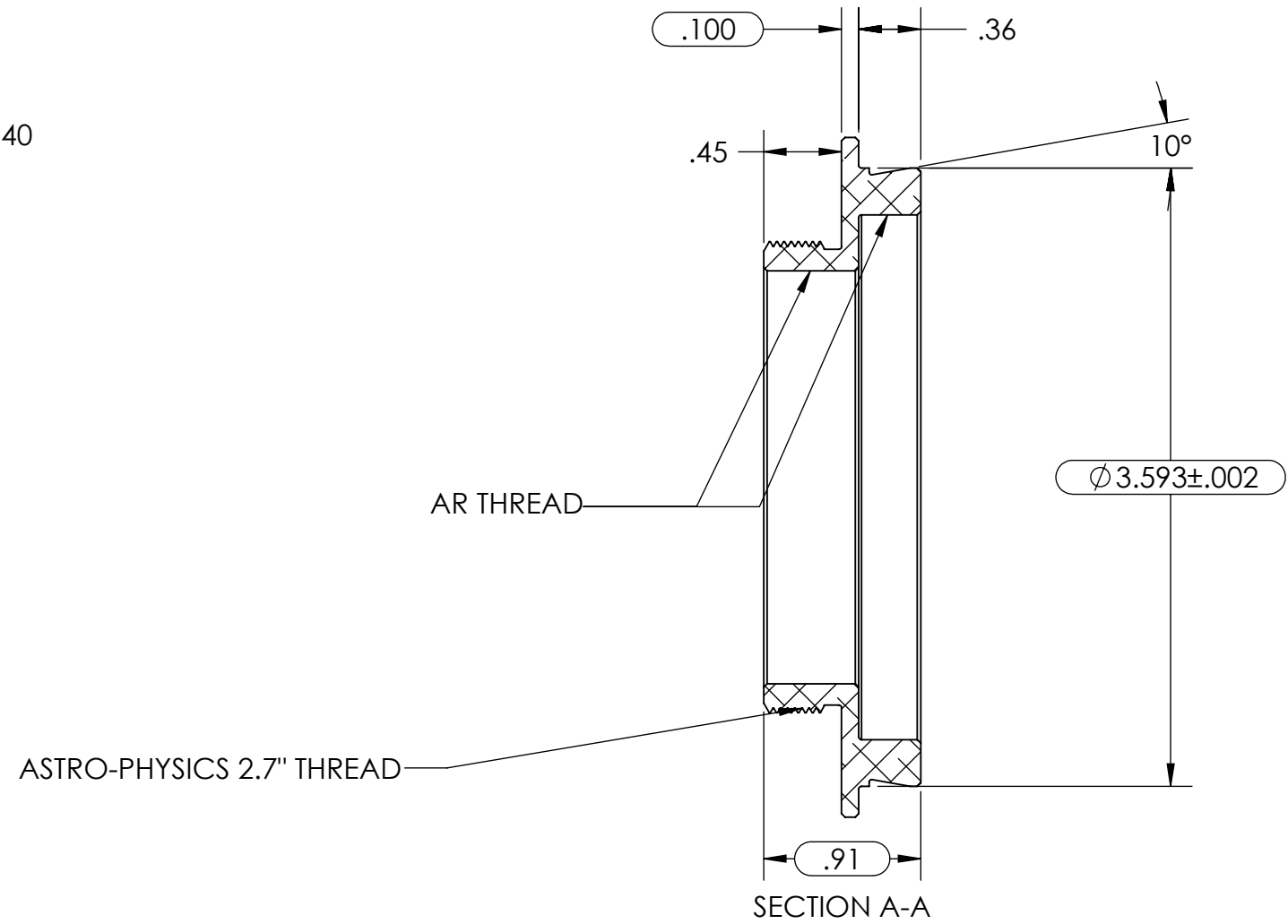
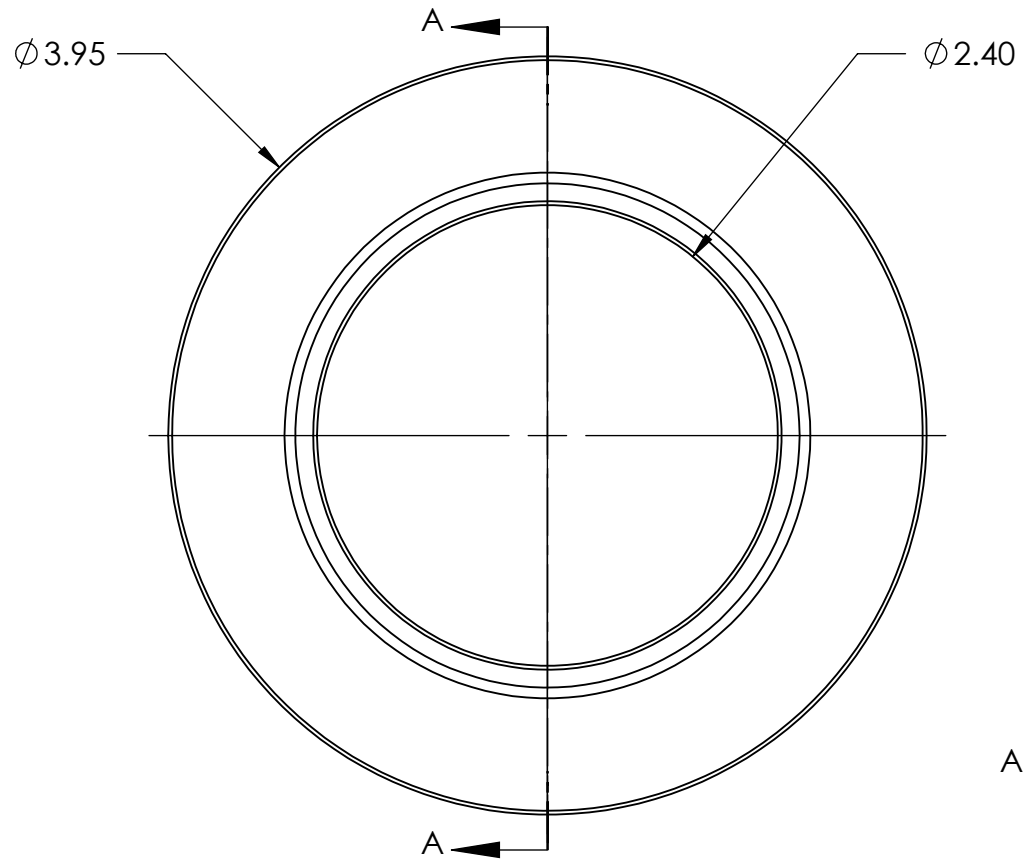
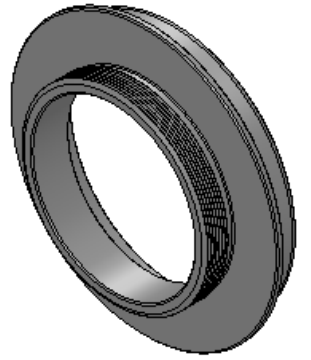


PN 4541  
STK NO 17808



UNLESS OTHERWISE SPECIFIED:		NAME	DATE	<b>Optec Inc.</b>	
DIMENSIONS ARE IN INCHES		DRAWN	LD		TITLE: <b>ASTROPHYSICS 2.7" TO OPTEC 3600</b>
TOLERANCES:		CHECKED			
ANGULAR: $\pm 1$		ENG APPR.			
TWO PLACE DECIMAL $\pm .007$		MFG APPR.			
THREE PLACE DECIMAL $\pm .003$		Q.A.		SIZE	
MATERIAL	6061-T6	Contract		DWG. NO.	
FINISH	SATIN ETCH BLACK	OPTEC-3600		REV	
DO NOT SCALE DRAWING				SCALE: 1:1	
				WEIGHT:	
				SHEET 1 OF 1	

