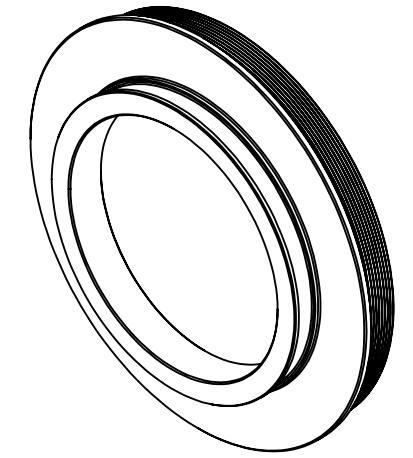
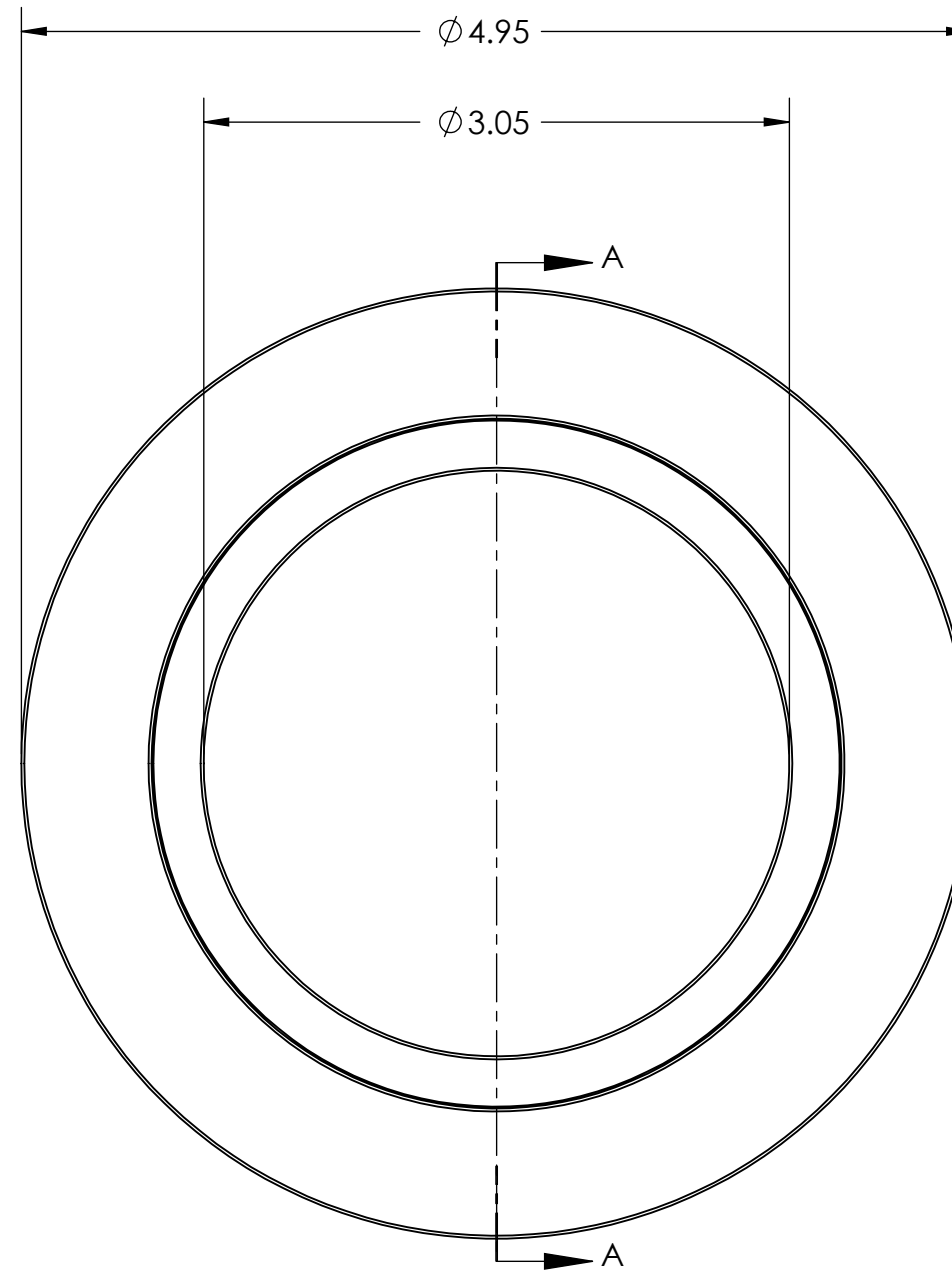
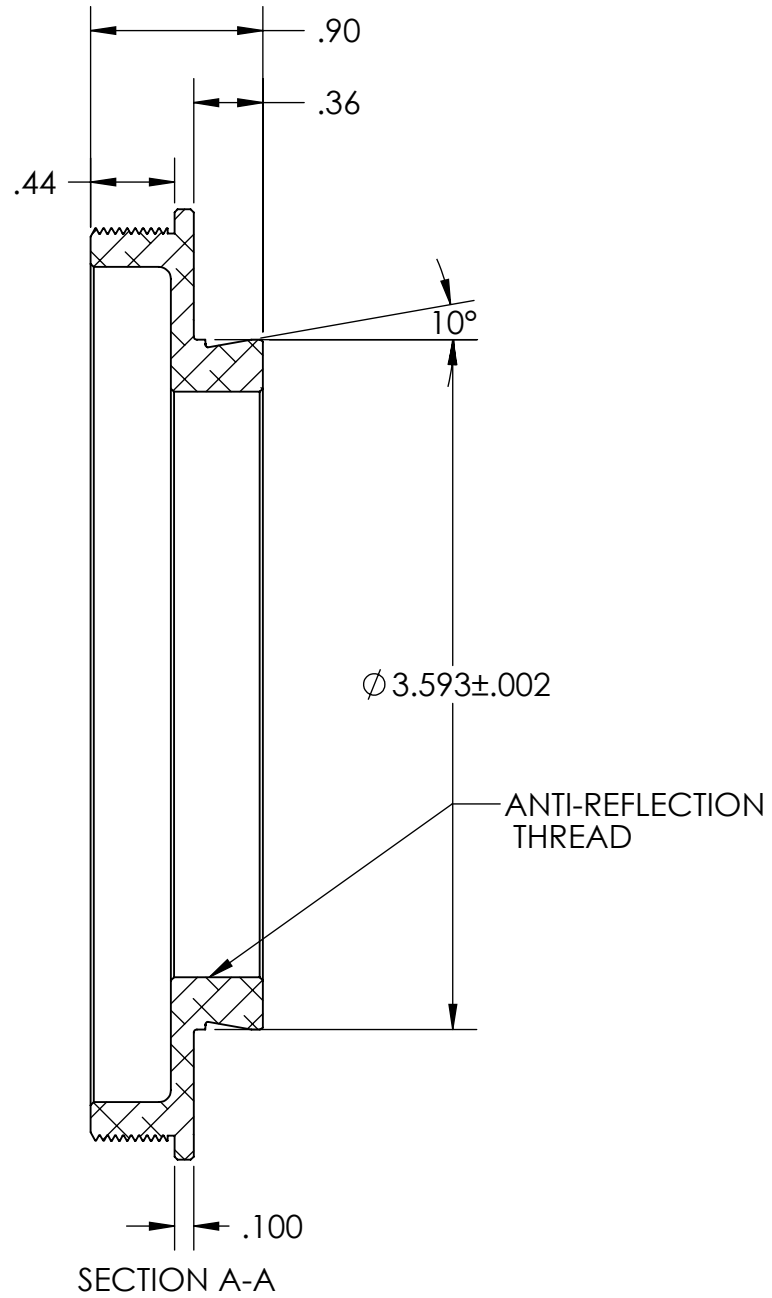
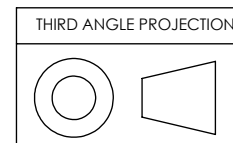


PN 4899  
 STK. NO. 17823



RCOS 4.75" THREAD



UNLESS OTHERWISE SPECIFIED: DIMENSIONS ARE IN INCHES TOLERANCES: FRACTIONAL $\pm$ ANGULAR: MACH $\pm$ BEND $\pm$ TWO PLACE DECIMAL $\pm .007$ THREE PLACE DECIMAL $\pm .003$	DRAWN	NAME	DATE	<b>Optec, Inc.</b>
	CHECKED	JD	04/02/09	
	ENG APPR.			
	MFG APPR.			
MATERIAL	6061-T6	CONTRACT		TITLE: <b>RCOS 4.75-INCH MOUNT</b>
FINISH	FROSTKOTE BRIGHT DIP BLACK	OPTEC-3600		
DO NOT SCALE DRAWING		SIZE	DWG. NO.	
		<b>B</b>	<b>17-06689</b>	
		SCALE: 1:1	WEIGHT:	SHEET 1 OF 1