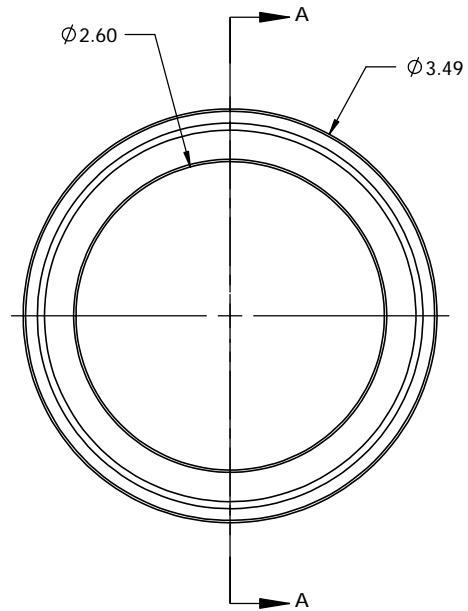
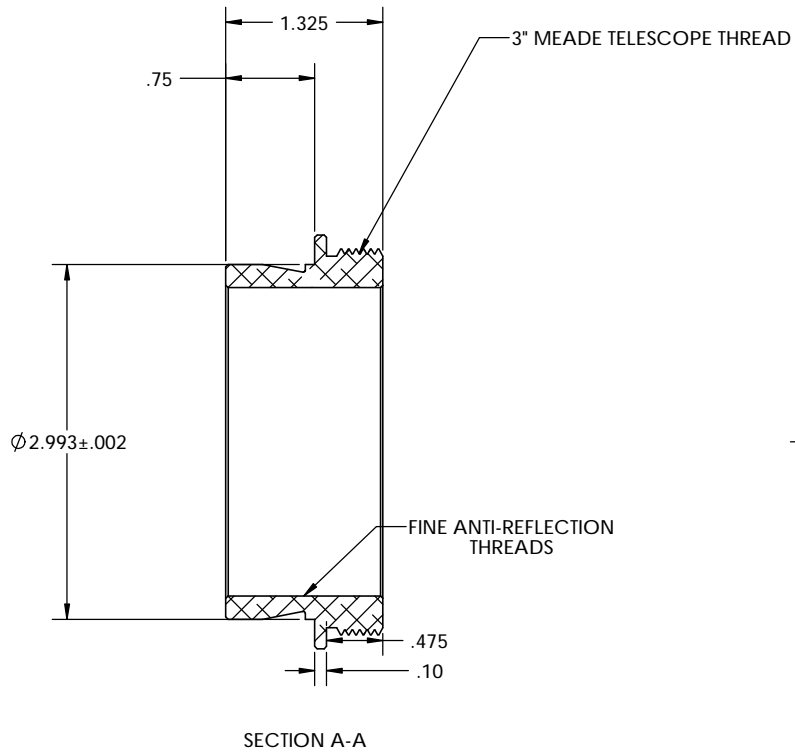


PN 4519
STK. NO. 17836



UNLESS OTHERWISE SPECIFIED:		DRAWN	NAME	DATE	Optec, Inc.	
		CHECKED	LD	07/03/09		
DIMENSIONS ARE IN INCHES		ENG APPR.			TITLE: 3" TO MEADE 3" SCT	
TOLERANCES:		MFG APPR.				
FRACTIONAL ±		Q.A.				
ANGULAR: MACH ± BEND ±					SIZE DWG. NO. B 17-06695	
TWO PLACE DECIMAL ±.007						
THREE PLACE DECIMAL ±.003					SCALE: 1:1 WEIGHT: SHEET 1 OF 1	
THIRD ANGLE PROJECTION		CONTRACT				
MATERIAL 6061-T6		3-INCH ADAPTERS				
FINISH: SATIN ETCH BLACK						
DO NOT SCALE DRAWING						