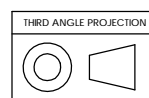
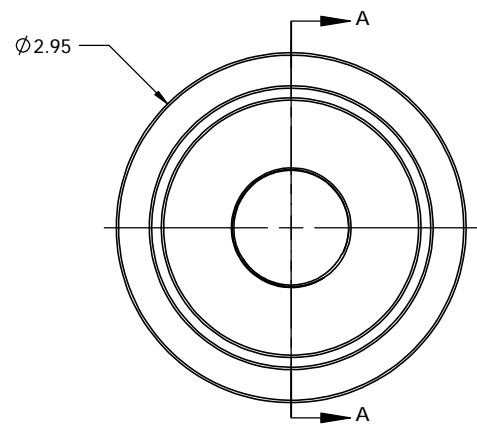
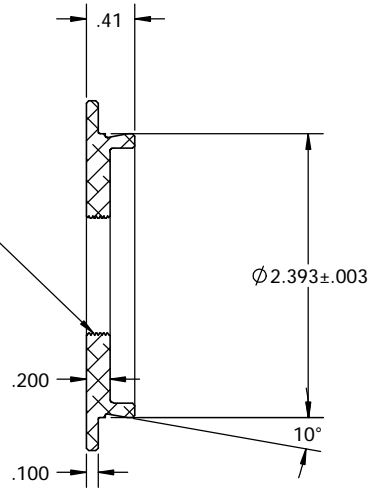


PN 5006
STOCK NO 19652

C-THREAD



UNLESS OTHERWISE SPECIFIED: DIMENSIONS ARE IN INCHES TOLERANCES: FRACTIONAL ± ANGULAR: MACH ± BEND ± TWO PLACE DECIMAL ±.007 THREE PLACE DECIMAL ±.003	DRAWN	NAME	DATE	Optec Inc. TITLE: FEMALE C-MOUNT TO OPTEC-2400
	CHECKED	LD	10/15/09	
	ENG APPR.			
	MFG APPR.			
	CONTRACT			SIZE
MATERIAL	6061-T6	OPTEC-2400		DWG. NO.
FINISH	FROSTKOTE BRIGHT DIP BLACK			B
DO NOT SCALE DRAWING				17-06338
				SCALE: 1:1
				WEIGHT:
				SHEET 1 OF 1