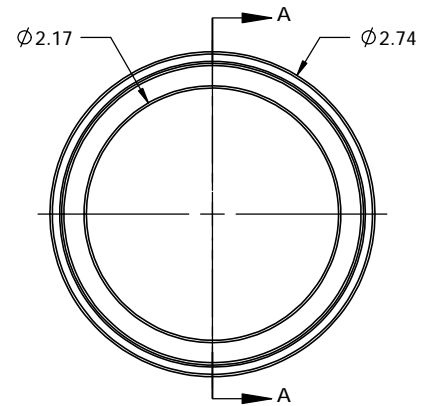
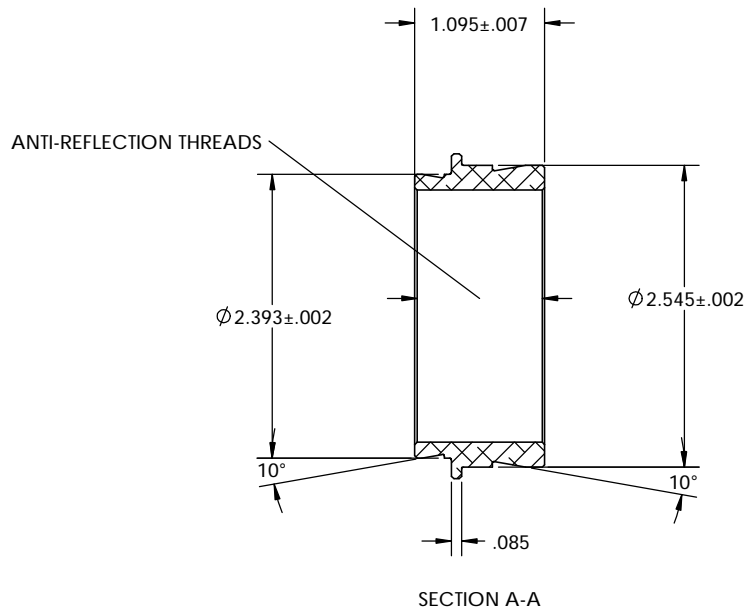


PN 5010
 STK. NO. 19662



THIRD ANGLE PROJECTION		UNLESS OTHERWISE SPECIFIED:		DRAWN	NAME	DATE	Optec Inc.
		DIMENSIONS ARE IN INCHES		CHECKED	LD	11/13/09	
		TOLERANCES:		ENG APPR.			
		FRACTIONAL ±		MFG APPR.			
		ANGULAR: MACH ± BEND ±		G.A.			
		TWO PLACE DECIMAL ±.007		CONTRACT			TITLE:
		THREE PLACE DECIMAL ±.003		OPTEC-2400			TELEVUE NP101IS TO OPTEC-2400
		MATERIAL		SIZE			DWG. NO.
		6061-T6		B			17-06705
		FINISH		SCALE: 1:1			WEIGHT:
		SEE NOTES		SHEET 1 OF 1			
		DO NOT SCALE DRAWING					