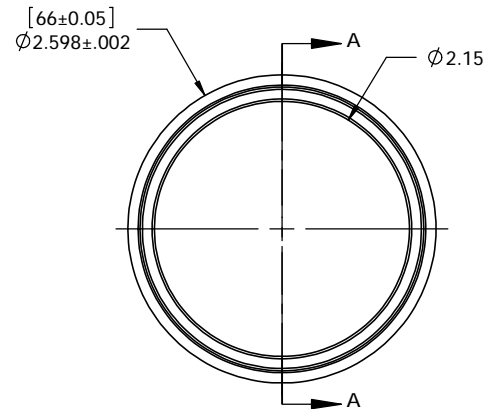
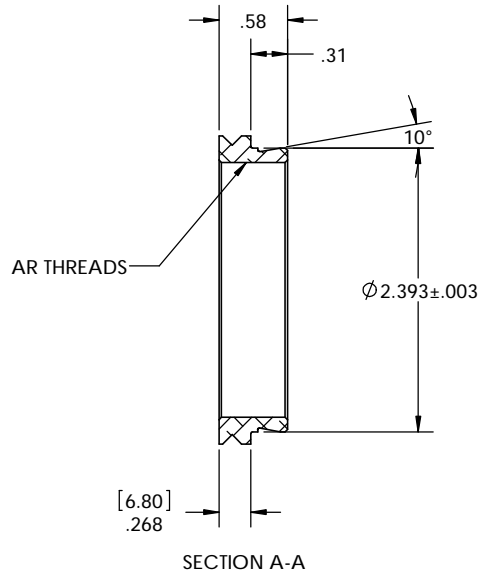


PN 5056  
STK NO 19667



UNLESS OTHERWISE SPECIFIED: DIMENSIONS ARE IN INCHES TOLERANCES: FRACTIONAL ± ANGULAR: MACH ± BEND ± TWO PLACE DECIMAL ±.007 THREE PLACE DECIMAL ±.003	DRAWN	NAME	DATE	<b>Optec Inc.</b>  TITLE: INTES MCT-180/MK-69 TO OPTEC 2400
	CHECKED	LD	04/09/10	
	ENG APPR.			
	MFG APPR.			
	Q.A.			
THIRD ANGLE PROJECTION	MATERIAL	CONTRACT		SIZE
	6061-T6	OPTEC-2400		DWG. NO.
	FINISH SATIN ETCH BLACK			<b>B</b>
	DO NOT SCALE DRAWING			17-06883
		SCALE: 1:1	WEIGHT:	SHEET 1 OF 1