

PN 5012
STK. NO. 19801

D

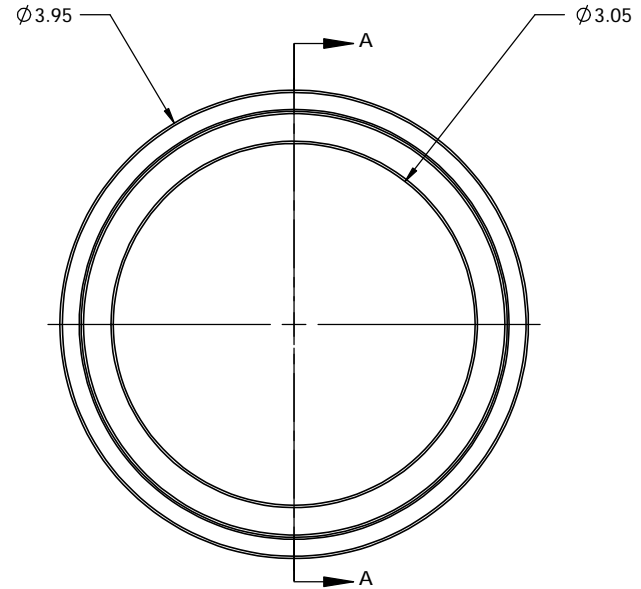
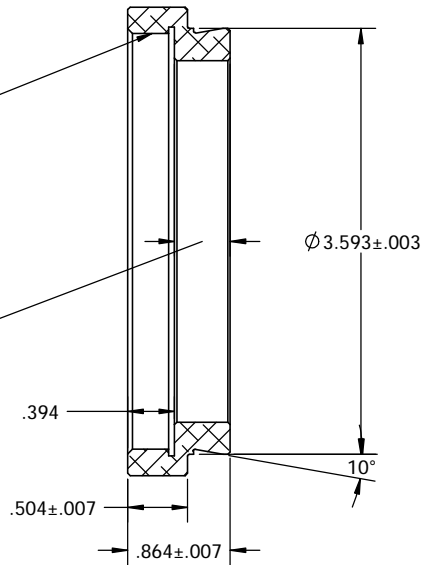
C

B

A

90 x 1mm

ANTI-REFLECTION THREADS



D

C

B

A

UNLESS OTHERWISE SPECIFIED: DIMENSIONS ARE IN INCHES TOLERANCES: FRACTIONAL ± ANGULAR: MACH ± BEND ± TWO PLACE DECIMAL ±.007 THREE PLACE DECIMAL ±.003	DRAWN	NAME	DATE	Optec Inc. TITLE: 90 X 1mm TO OPTEC-3600
	CHECKED	LD	11/06/09	
	ENG APPR.			
	MFG APPR.			
	Q.A.			
THIRD ANGLE PROJECTION	MATERIAL	CONTRACT		SIZE
	6061-T6	OPTEC-3600		DWG. NO.
FINISH	SEE NOTES			B
DO NOT SCALE DRAWING				17-06702
		SCALE: 1:1	WEIGHT:	SHEET 1 OF 1

8

7

6

5

4

3

2

1