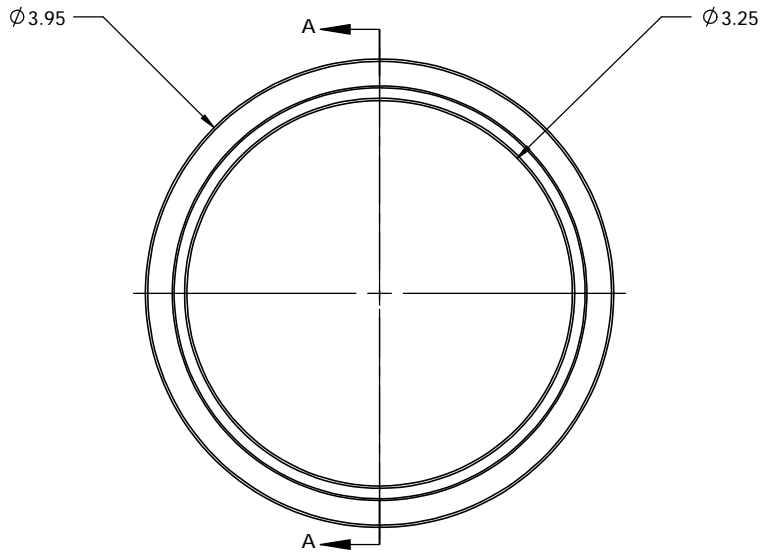
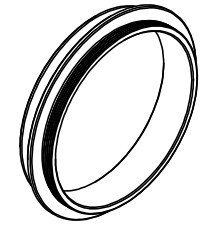
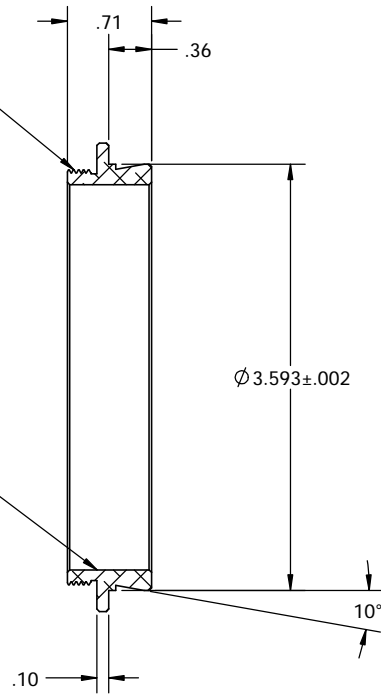


PN 5035  
STOCK NO. 19802

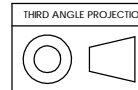


DSI 3.5 X 24TPI MALE

AR THREADS



UNLESS OTHERWISE SPECIFIED: DIMENSIONS ARE IN INCHES TOLERANCES: FRACTIONAL ± ANGULAR: MACH ± BEND ± TWO PLACE DECIMAL ±.007 THREE PLACE DECIMAL ±.003	DRAWN	NAME	DATE	<b>Optec Inc.</b>  TITLE: 3.5 X 24 TPI TO OPTEC 3600
	CHECKED	LD	01/26/10	
	ENG APPR.			
	MFG APPR.			
	Q.A.			
	CONTRACT			
	OPTEC-3600			
	SIZE	DWG. NO.		
	<b>B</b>	<b>17-06710</b>		
	SCALE: 1:1	WEIGHT:	SHEET 1 OF 1	



MATERIAL	6061-T6
FINISH	SEE NOTES
DO NOT SCALE DRAWING	