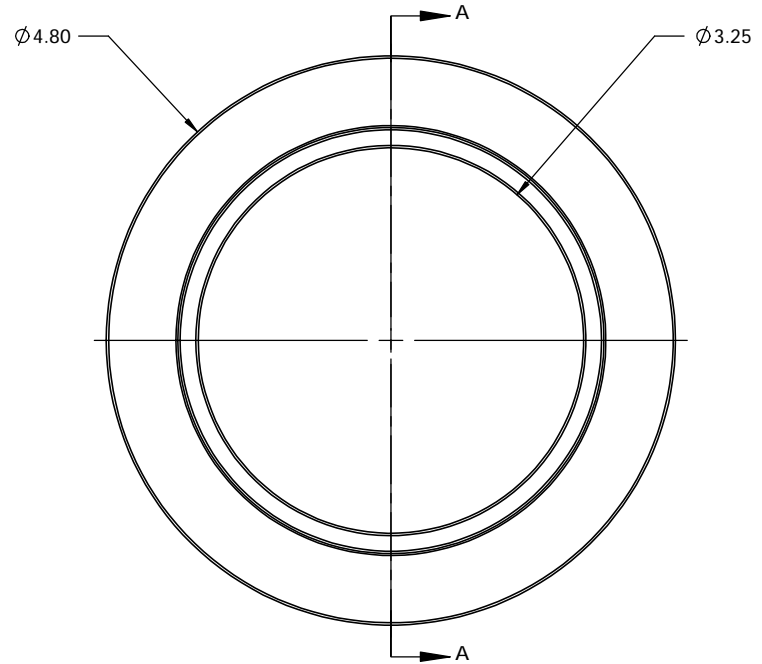
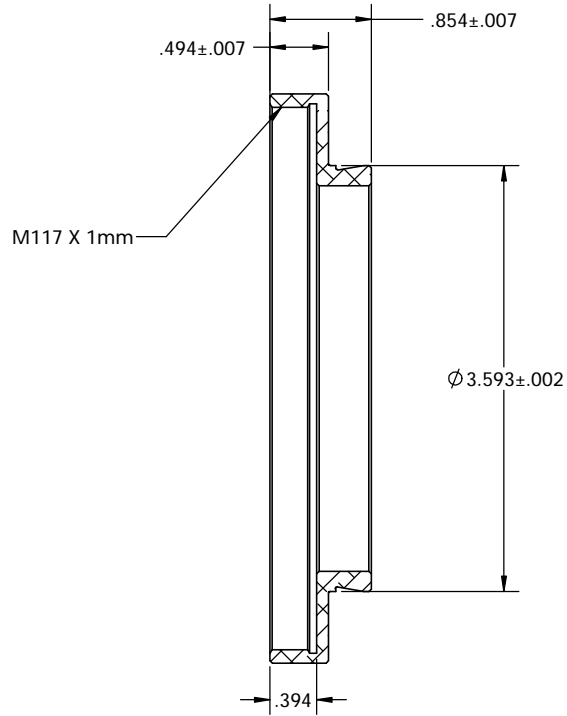


PN 5053
 STK NO 19804



UNLESS OTHERWISE SPECIFIED: DIMENSIONS ARE IN INCHES TOLERANCES: FRACTIONAL ± ANGULAR: MACH ± BEND ± TWO PLACE DECIMAL ±.007 THREE PLACE DECIMAL ±.003	DRAWN	NAME	DATE	Optec Inc.
	CHECKED	LD	04/01/10	
	ENG APPR.			
	MFG APPR.			
	Q.A.			TITLE: M117 X 1mm
THIRD ANGLE PROJECTION	MATERIAL 6061-T6	CONTRACT		SIZE
	FINISH FROSTKOTE BRIGHT DIP BLACK	OPTEC-3600		DWG. NO. B 17-06882
	DO NOT SCALE DRAWING			SCALE: 1:1
				WEIGHT:
				SHEET 1 OF 1