

8 7 6 5 4 3 2 1

D

D

C

C

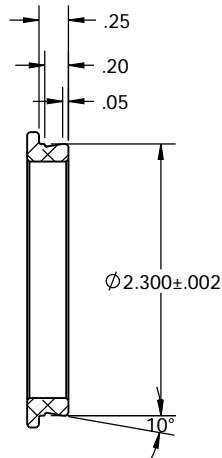
B

B

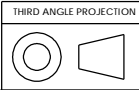
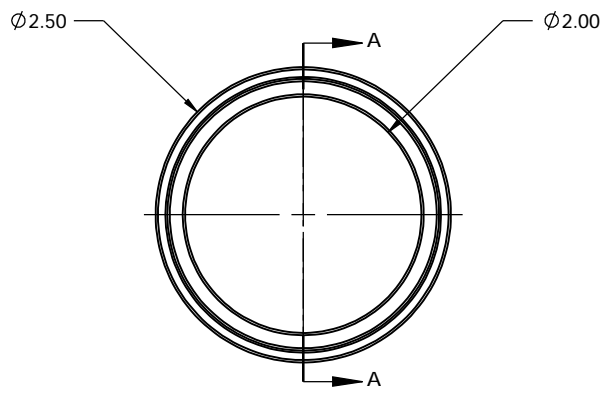
A

A

8 7 6 5 4 3 2 1



SECTION A-A



UNLESS OTHERWISE SPECIFIED: DIMENSIONS ARE IN INCHES TOLERANCES: FRACTIONAL ± ANGULAR: MACH ± BEND ± TWO PLACE DECIMAL ±.007 THREE PLACE DECIMAL ±.003	DRAWN	NAME	DATE	Optec Inc.	
	CHECKED	LD	06/29/10		
	ENG APPR.			OPTEC-2300 DOVETAIL	
	MFG APPR.				
	Q.A.				
MATERIAL	CONTRACT			SIZE	DWG. NO.
6061-T6	DOVETAILS			B	
FINISH FROSTKOTE BRIGHT DIP BLACK				SCALE: 1:1	WEIGHT:
DO NOT SCALE DRAWING					SHEET 1 OF 1