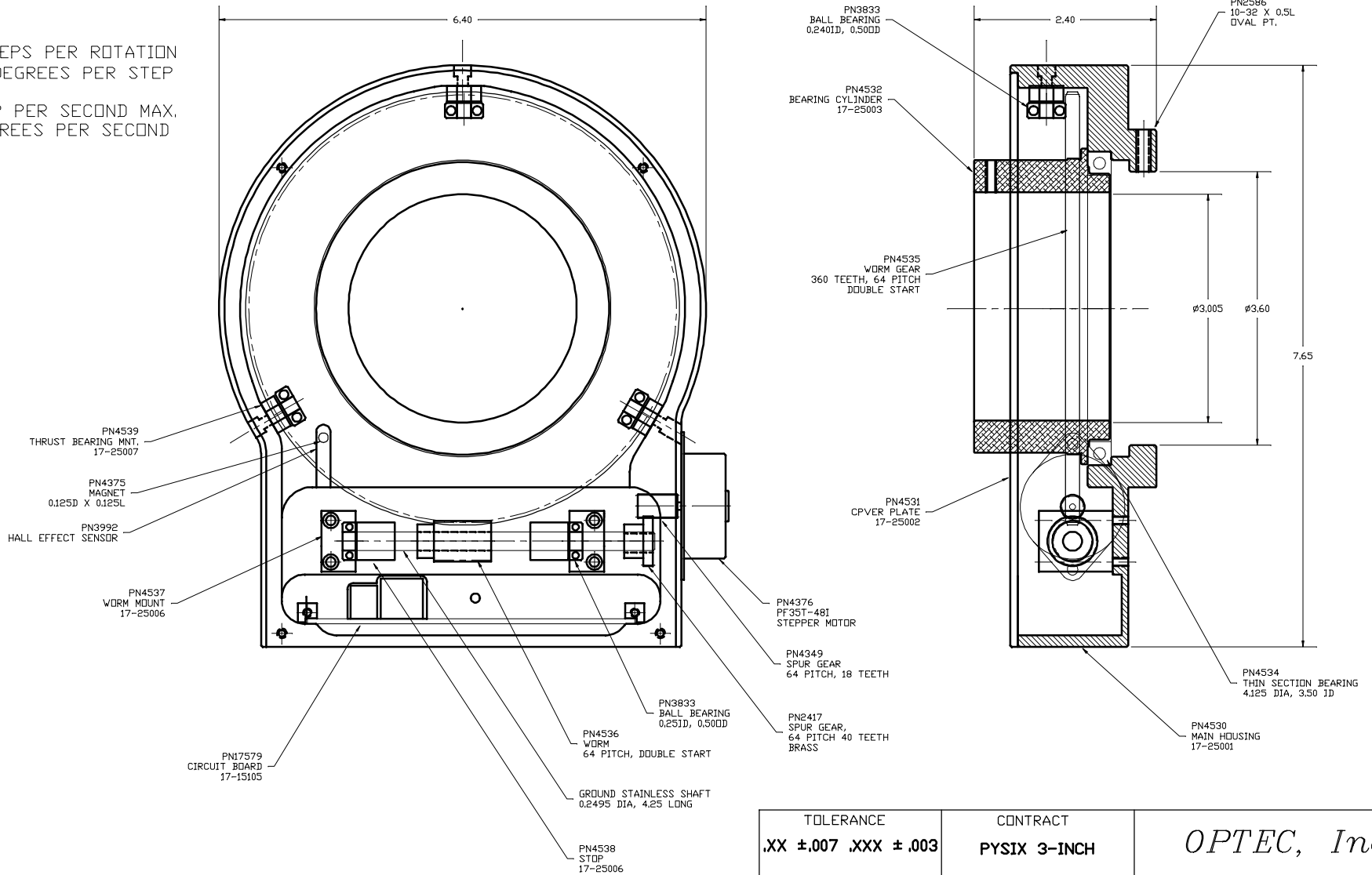


19200 STEPS PER ROTATION
0.01875 DEGREES PER STEP

200 STEP PER SECOND MAX.
3.75 DEGREES PER SECOND



TOLERANCE .XX ±.007 .XXX ±.003	CONTRACT PYSIX 3-INCH	<i>OPTEC, Inc.</i>	
MATERIAL	REVISION 7/11/06	PYXIS 3-INCH ASSEMBLY	
FINISH		SCALE: 0.75X	NO: 17-25000