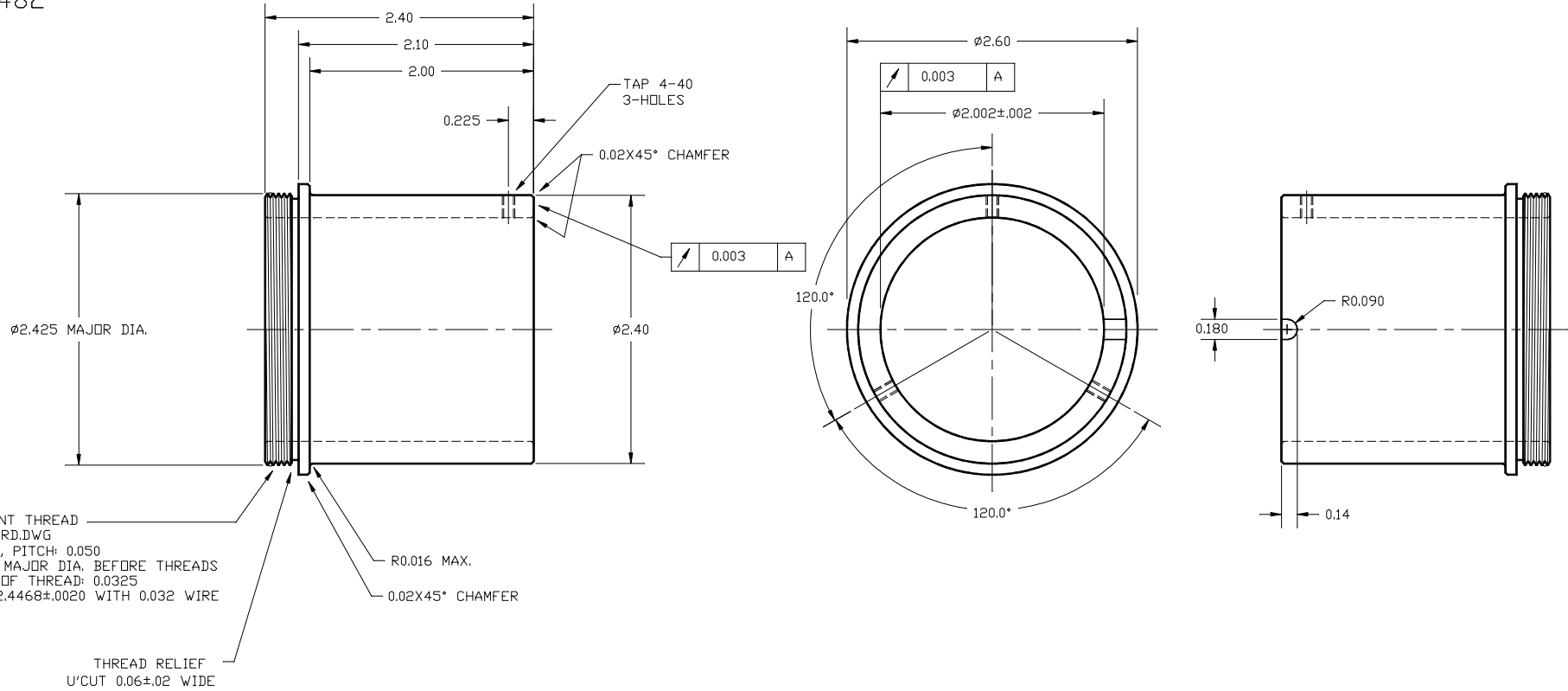


PN3482



NOTE: BREAK ALL EDGES

TOLERANCE .XX ±.007.XXX ±.003	CONTRACT MAXFILTER 2" FILTER SLIDER	<i>OPTEC, Inc.</i>	
MATERIAL 6061 T6	REVISION 7/18/96 10/28/03 1/13/97 2/17/97 1/12/00	2" MOUNT	
FINISH BRIGHT DIP BLACK ANODIZE		SCALE: 1X	NO: 17-06305