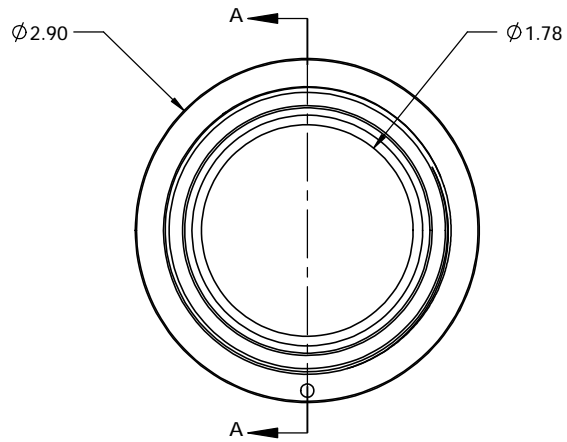
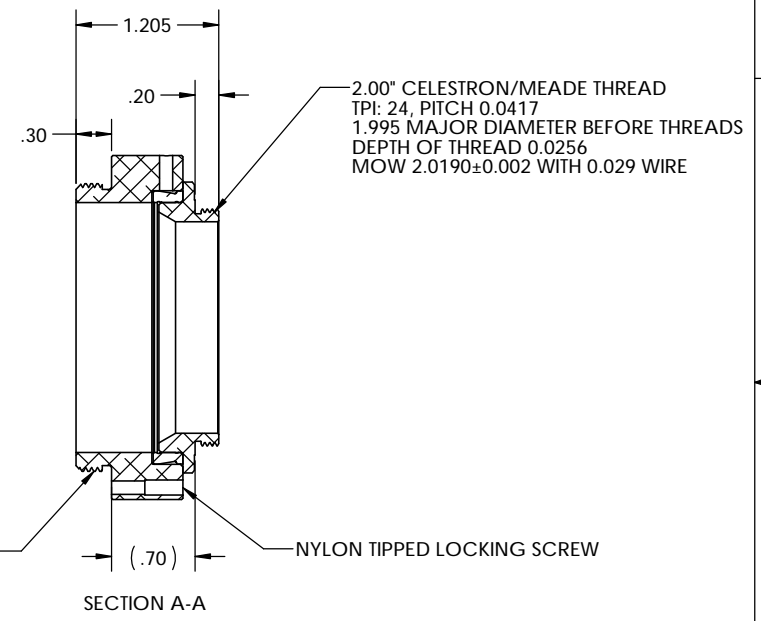


STK NO 17464



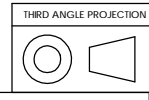
2" MOUNT THREAD
 TPI: 20, PITCH 0.05
 2.425 MAJOR DIA BEFORE THREADS
 DEPTH OF THREAD: 0.0325
 MOW 2.4468±0.002 WITH 0.032 WIRE



2.00" CELESTRON/MEADE THREAD
 TPI: 24, PITCH 0.0417
 1.995 MAJOR DIAMETER BEFORE THREADS
 DEPTH OF THREAD 0.0256
 MOW 2.0190±0.002 WITH 0.029 WIRE

NYLON TIPPED LOCKING SCREW

SECTION A-A



UNLESS OTHERWISE SPECIFIED: DIMENSIONS ARE IN INCHES TWO PLACE DECIMAL ±.007 THREE PLACE DECIMAL ±.003	DRAWN	NAME	DATE	Optec Inc.
	CHECKED	LD	5/22/14	
	ENG APPR.			
	MFG APPR.			
MATERIAL	6061-T6			TITLE: SCT SHORT THREAD MOUNTING RING
FINISH	BLACK ANODIZE			SIZE B
DO NOT SCALE DRAWING	OPTEC 2300			DWG. NO.
				SCALE: 1:1 WEIGHT: SHEET 1 OF 1