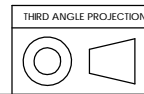
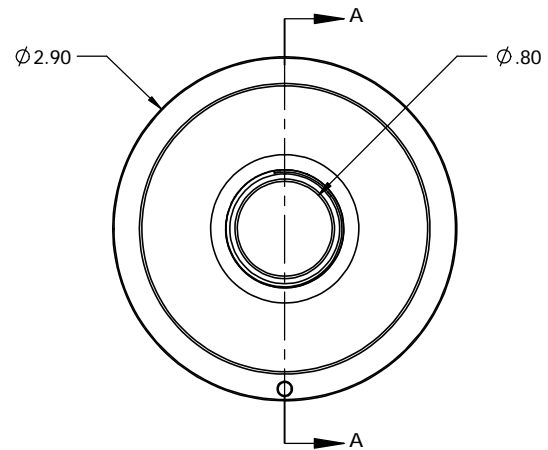
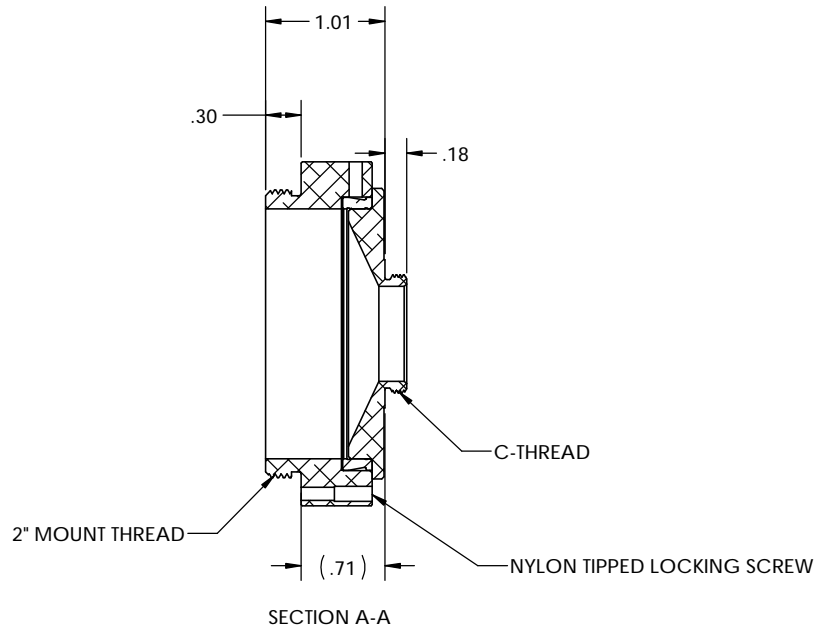


STK NO 17466



UNLESS OTHERWISE SPECIFIED: DIMENSIONS ARE IN INCHES TWO PLACE DECIMAL $\pm .007$ THREE PLACE DECIMAL $\pm .003$	DRAWN	NAME	DATE	Optec Inc.
	CHECKED	LD	5/22/14	
	ENG APPR.			
	MFG APPR.			
MATERIAL	6061-T6		TITLE: C-THREAD MOUNTING RING	
FINISH	BLACK ANODIZE		SIZE DWG. NO. B	
DO NOT SCALE DRAWING	CONTRACT		SCALE: 1:1 WEIGHT: SHEET 1 OF 1	
	OPTEC 2300			