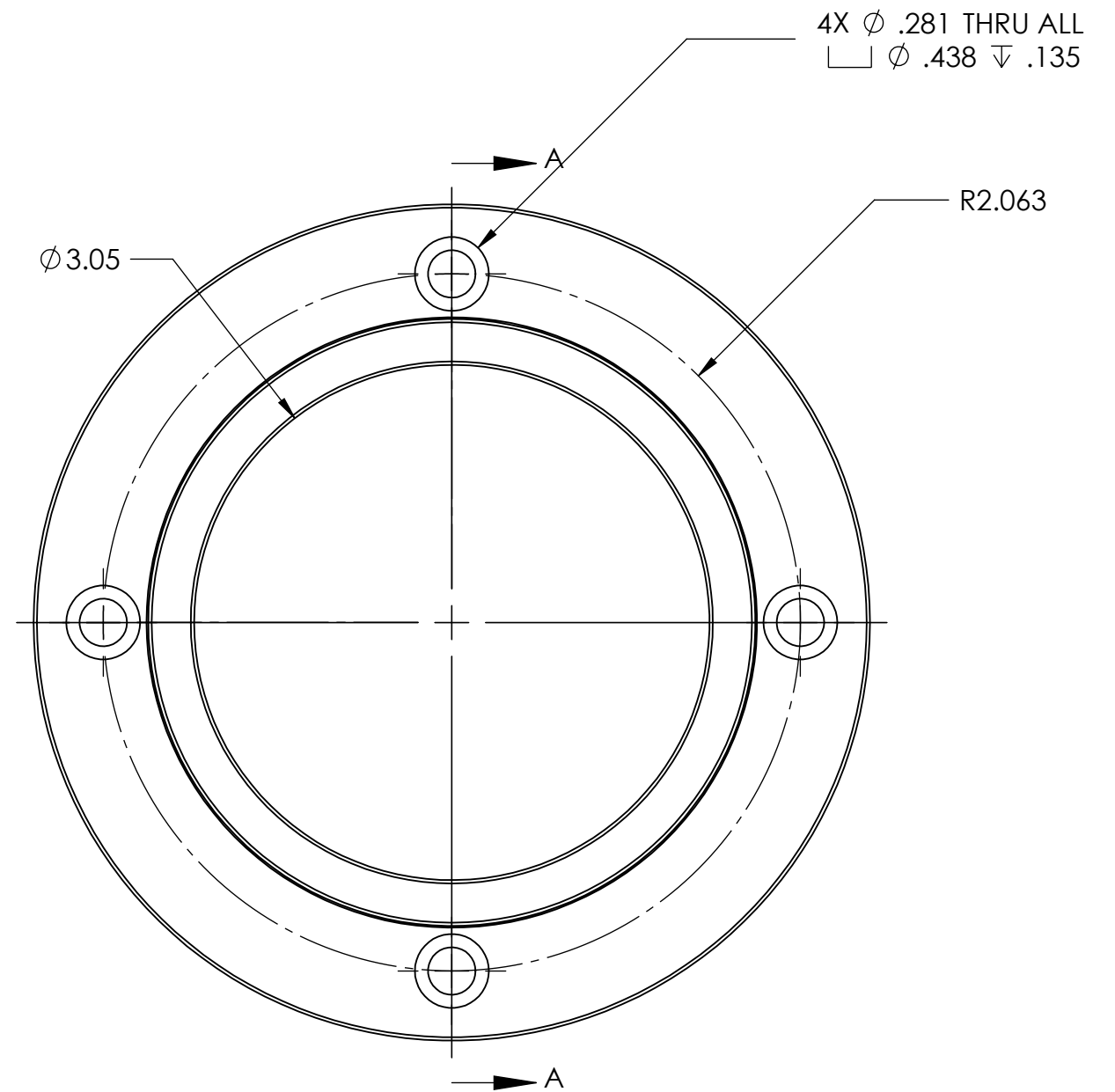
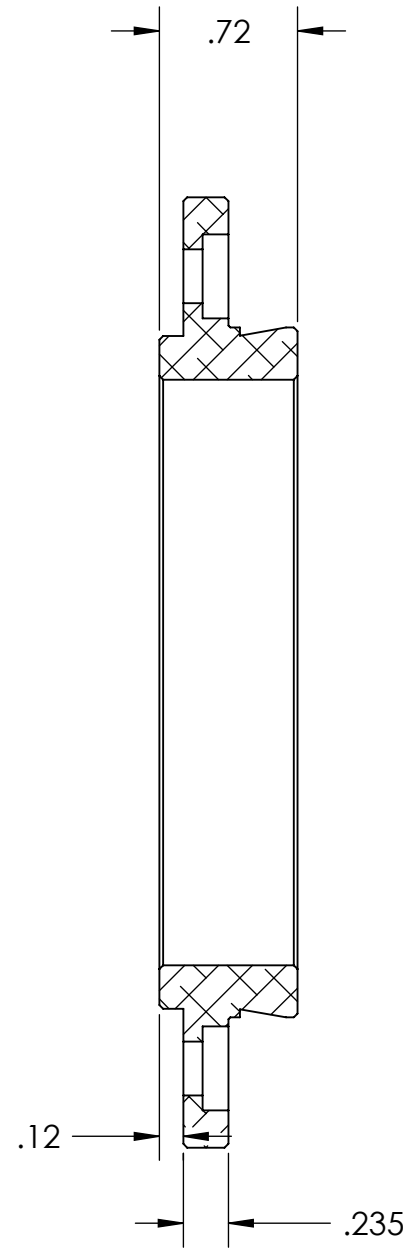


PN 4976
STK NO 17828



UNLESS OTHERWISE SPECIFIED: DIMENSIONS ARE IN INCHES TOLERANCES: FRACTIONAL \pm ANGULAR: MACH \pm BEND \pm TWO PLACE DECIMAL $\pm .007$ THREE PLACE DECIMAL $\pm .003$	DRAWN	NAME	DATE	Optec, Inc. TITLE: PW CDK 17/20 LOW PRO TO OPTEC 3600
	CHECKED	LD	09/09/09	
	ENG APPR.			
	MFG APPR.			
	Q.A.			
MATERIAL	CONTRACT			SIZE DWG. NO. B 17-06698
6061-T6	OPTEC 3600			
FINISH	DO NOT SCALE DRAWING			SCALE: 1:1 WEIGHT: SHEET 1 OF 1
SEE NOTES				

