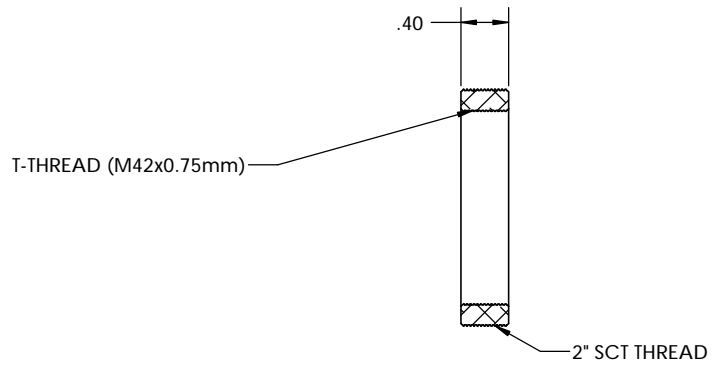
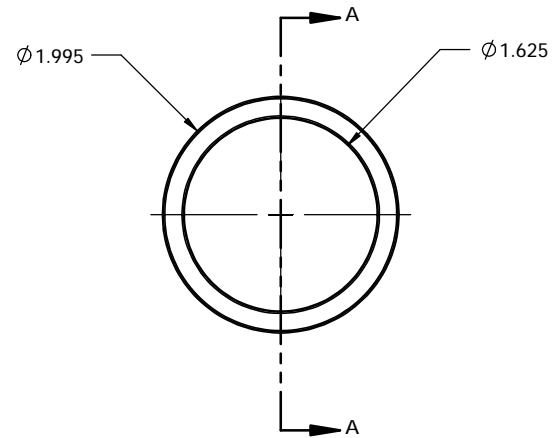


PN 5153
 STK NO. 19850



SECTION A-A



UNLESS OTHERWISE SPECIFIED: DIMENSIONS ARE IN INCHES TOLERANCES: FRACTIONAL ± ANGULAR: MACH ± BEND ± TWO PLACE DECIMAL ±.007 THREE PLACE DECIMAL ±.003	DRAWN	NAME	DATE	Optec Inc. TITLE: FEMALE T-THREAD TO MALE SCT THREAD
	CHECKED	LD	11/02/10	
	ENG APPR.			
	MFG APPR.			
	Q.A.			
THIRD ANGLE PROJECTION	MATERIAL	CONTRACT		SIZE
	6061-T6	MISC ADAPTERS		DWG. NO.
FINISH	SEE NOTES			B
DO NOT SCALE DRAWING				19-06791
		SCALE: 1:1	WEIGHT:	SHEET 1 OF 1